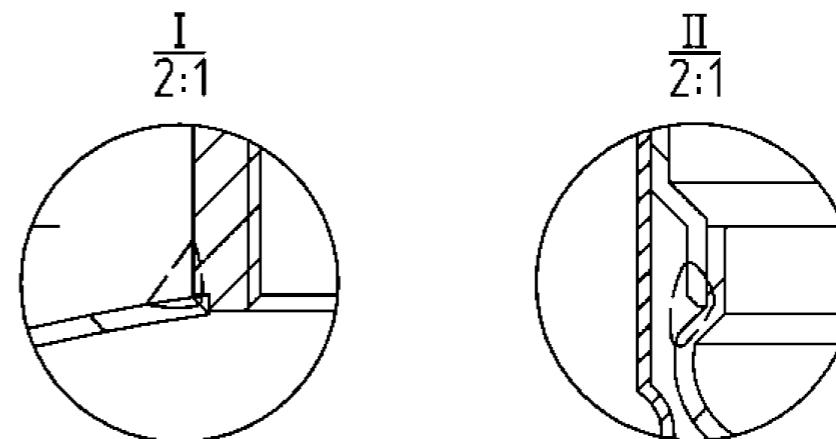


Note:

1. The combination of the cylinder and neck ring, head are using CO2 gas automatically protection welding, Welding wire is in accordance with GB/T 8110 ER50-6 standard.
2. Joint must be even, smooth, no gas hole ect..
3. The cylinder shall be 100% under 2.5MPa gas leakage Pressure test, keep pressure for 30s no leakage and visible distortion.
4. The cylinder Minimum Burst pressure is 55bar. The burst shall only show plastic collapse. It should not have Scrap. The crack should not be in the welding joint.
5. Finish: Outside surface of cylinder red (PA7343)powder coated. The coating should be even, the color shall be bright,no obvious cracks. The thickness of powder coating is 0.07~0.12mm.
6. Minimum volume:4.55L
7. Stamp on foot ring of cylinder must be clear:
ECCO Australia MASA TOTAL x.xKG PS 1.4MPa PE 3.5MPa FAB XX/11 K 201765 (~203364)
8. Stamp Height =5(Some are 3.5)Mark deep 0.4mm. The space between every word is 3mm



4	UQ130-60	FOOT RING
3	U127x1.2-33	HEAD
2	T130x1.2/35-355(125/45)	UPPER CYLINDER
1	T01-03	NECK RING

MODEL 400 CYLINDER