

DOMESTIC COMMERCIAL VESSEL
Accredited Surveyor Plan
and Stability Approval

APPROVED

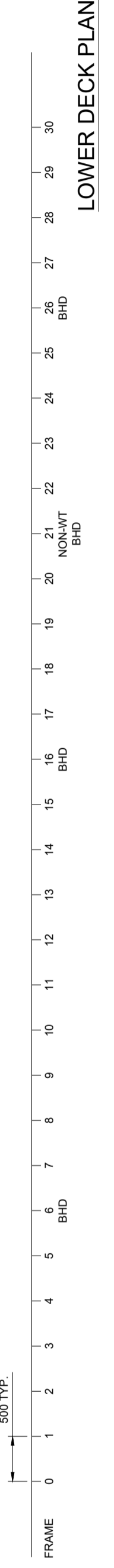
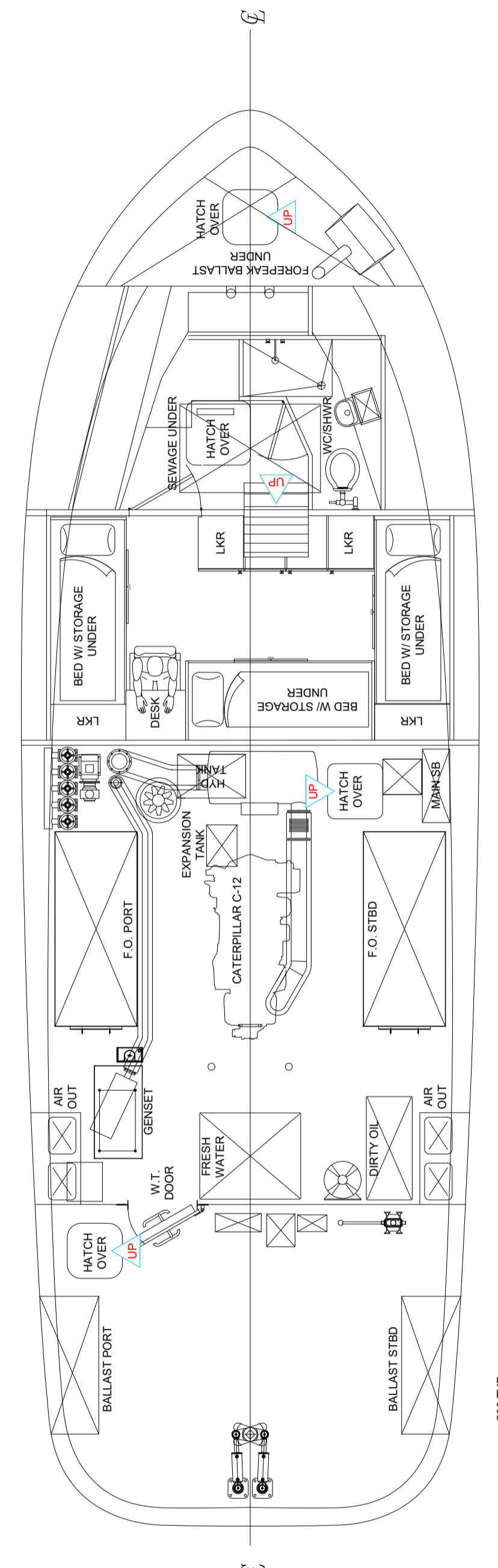
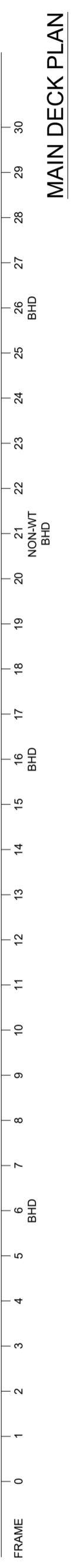
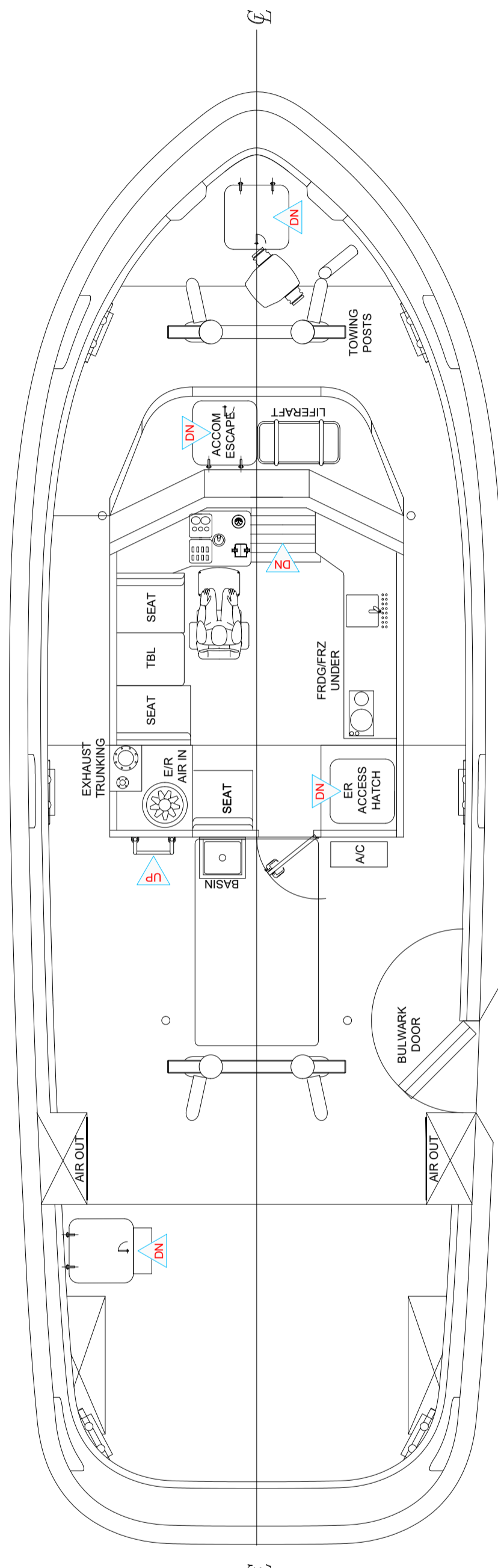
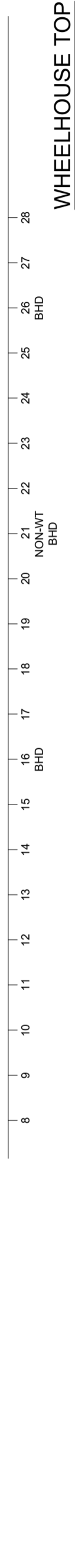
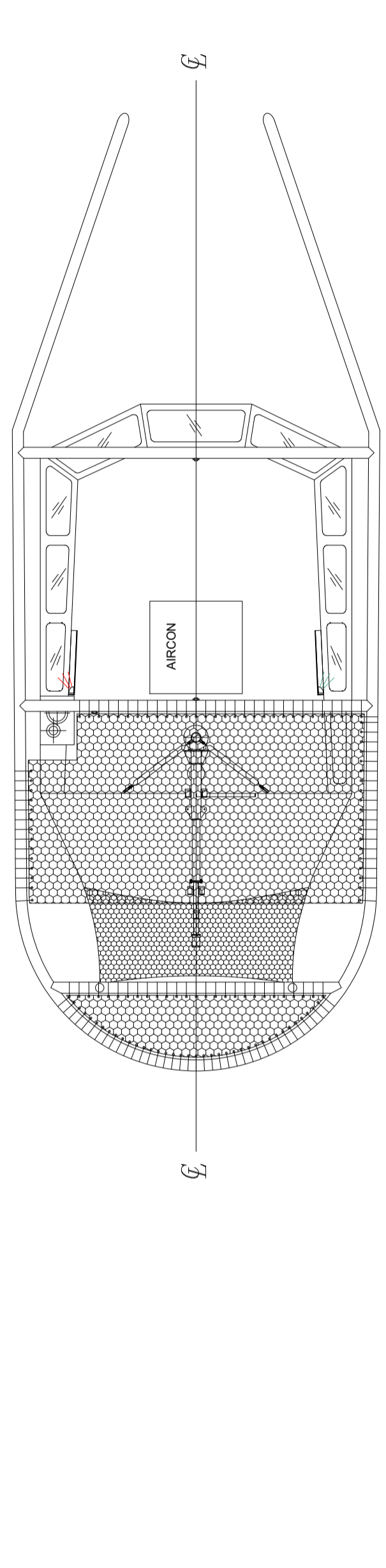
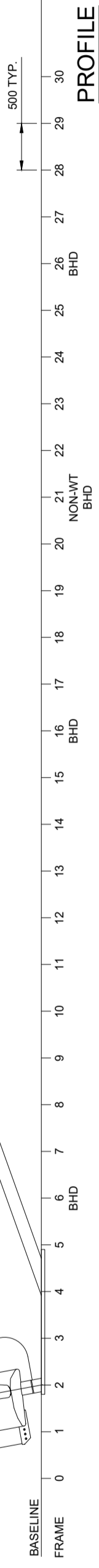
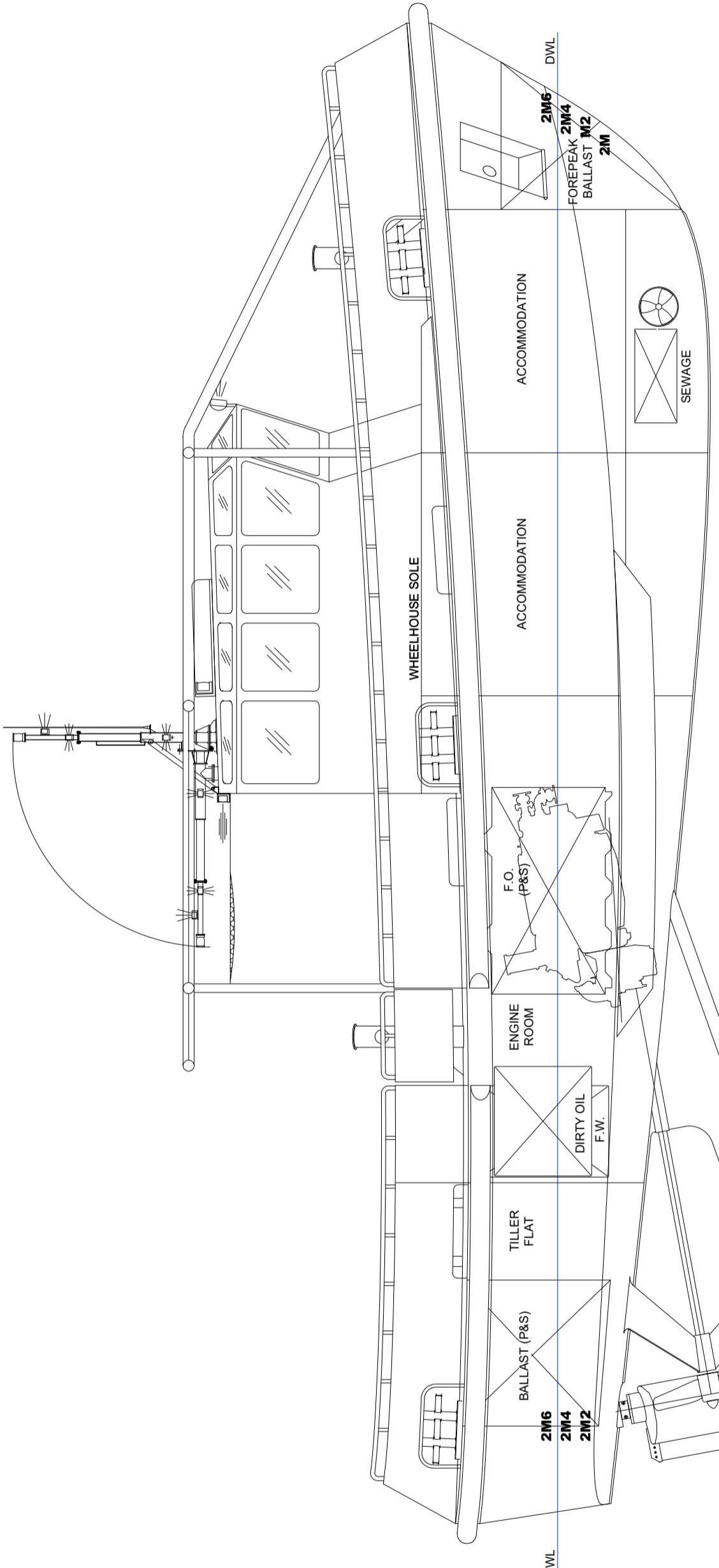
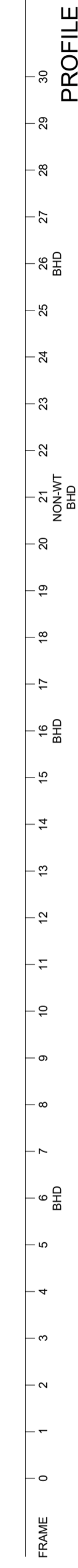
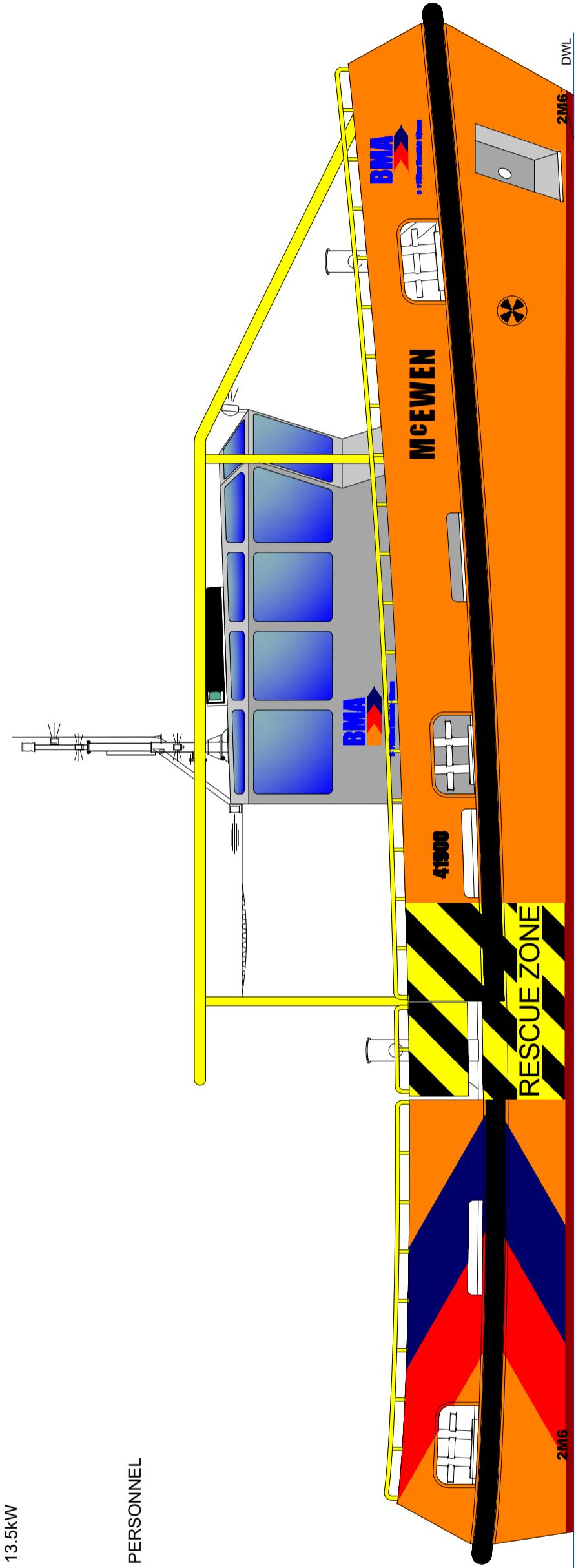
The undersigned surveyor declares that they have examined the document to which this stamp is affixed in accordance with the requirements of the Marine Safety (Domestic Commercial Vessel) National Law Act 2012 and found it to satisfy the requirements to be approved.

For any comments see approval letter number05032508/060404.....05/11/16

Accredited Surveyor
Name: Sean Chubb ID: 126504
Signature: _____ Date: 05/11/16

PRINCIPAL DIMENSIONS

L _{OA}	15.52 metres
L _{BP}	14.19 metres
L _M	14.42 metres
B _{OA}	5.40 metres
B _M	5.40 metres
DRAFT	2.80 metres
FREEBORD	1.16 metres
AIR DRAFT	4.10 metres
POWERING	CATERPILLAR C-12 366 KW
GEARBOX	ZF-W320.4.048:1
AUXILIARY	CATERPILLAR C-1.5 13.5KW
FUEL	4.0 m ³
FRESH WATER	1.2 m ³
CLASS	NSCV/2C
CREWING	3 CREW, 5 SPECIAL PERSONNEL
ACCOMMODATION	AL36-17Z, AL12-36



HPT-039233

Strategic Marine
NO. 4 PIONEER SECTOR 1, SINGAPORE, 628416
TELEPHONE +65 6558 7877
FACSIMILE +65 6558 7277

DRAWING REF: SM248-15-001
REVISION: J
HULL NO: H375

© COPYRIGHT 2015. THIS DRAWING, INCLUDING THE CONCEPTUAL CONTENT THEREOF AND ANY SPECIFICATIONS AND PARTICULARS THERETO, IS AN INTEGRAL PART OF THE INTELLECTUAL PROPERTY OF MALPINE MARINE DESIGN PTY. LTD. THIS DRAWING IS NOT TO BE REPRODUCED OR COPIED, IN WHOLE OR IN PART OR LOANED OR OTHERWISE COMMUNICATED TO ANY THIRD PARTY OR USED IN ANY MANNER DETRIMENTAL TO THE INTERESTS OF MALPINE MARINE DESIGN PTY. LTD. WITHOUT SAID COMPANY'S EXPRESS CONSENT.

150 001
BUREAU VERITAS
Certification
N° AUST2000237

THIS DOCUMENT HAS BEEN PRODUCED UNDER THE CONTROLS ESTABLISHED BY BUREAU VERITAS CERTIFICATION APPROVED MANAGEMENT SYSTEM THAT CONFORMS WITH AS/NZS ISO 9001:2008

J	UPDATED IN LINE WITH AS BUILT	APPROVED	H.S.	S.C.	01-11-16
H	UPDATED IN LINE WITH AS BUILT	COMMENT	H.S.	S.C.	31-10-16
G	INTEGRAL BALLAST TANKS ADDED + UPDATED FORWARD ACCOMMODATION SECTION	COMMENT	C.S.	S.C.	01-06-16
F	UPDATED FW TANK POSITION + ADDED AFT BALLAST TANKS	COMMENT	C.S.	S.C.	23-05-16
E	UPDATED IN LINE WITH BMATQ008	COMMENT	C.S.	S.C.	11-05-16
D	UPDATED IN LINE CURRENT DESIGN	COMMENT	C.S.	S.R.	11-03-16
C	UPDATED IN LINE WITH BMA CLARIFICATION DOCUMENT	COMMENT	S.C.	S.R.	20-11-15
REV.	DETAILS	STATUS	DRW	CHK	DATE

APPROVED	H.S.	S.C.	01-11-16
COMMENT	H.S.	S.C.	31-10-16
COMMENT	C.S.	S.C.	01-06-16
COMMENT	C.S.	S.C.	23-05-16
COMMENT	C.S.	S.C.	11-05-16
COMMENT	C.S.	S.R.	11-03-16
COMMENT	S.C.	S.R.	20-11-15
STATUS	DRW	CHK	DATE

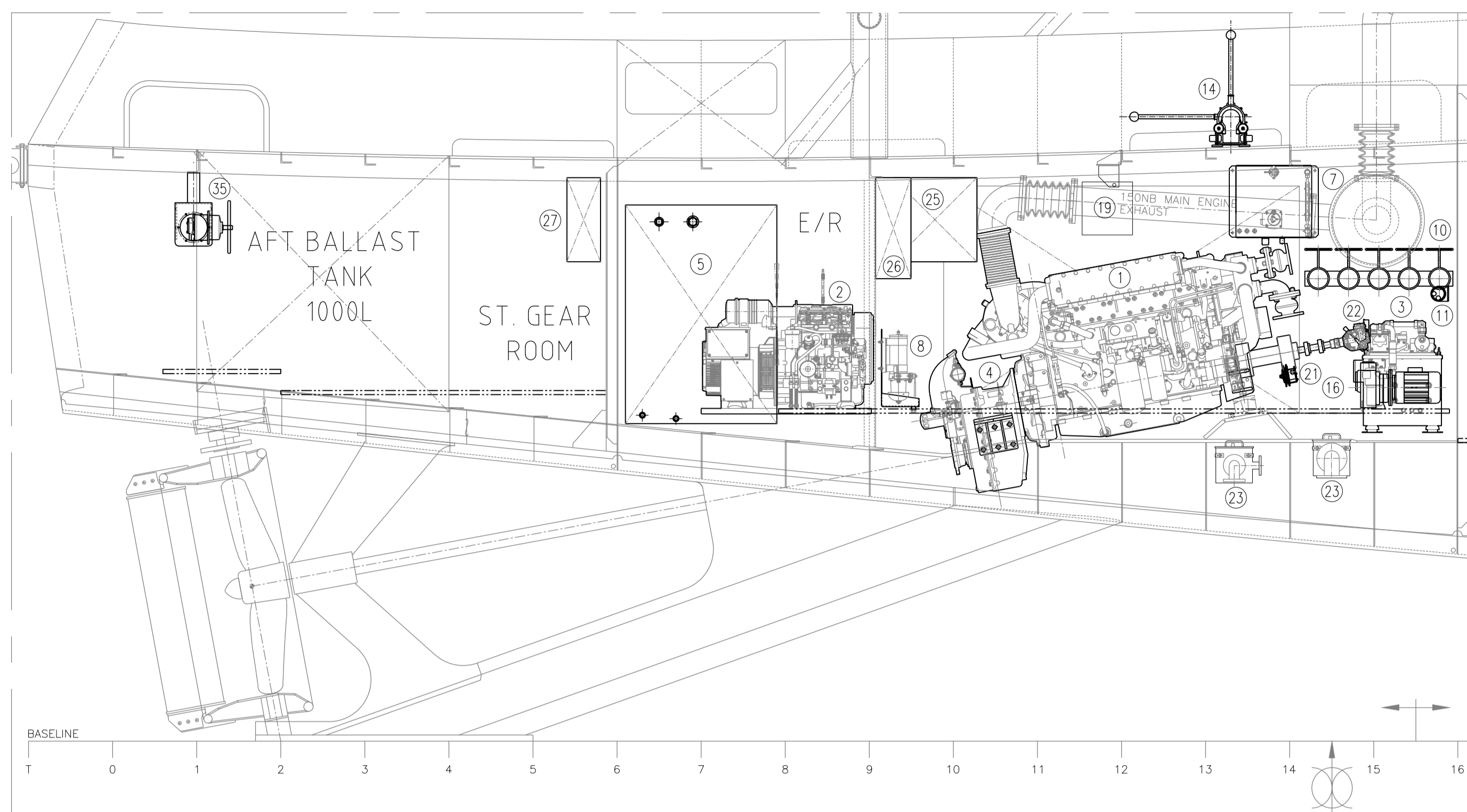
MMD
Naval Architects

117 MARINE TERRACE
(CNR SOUTH ST)
FREMANTLE, W.A. 6160
AUSTRALIA

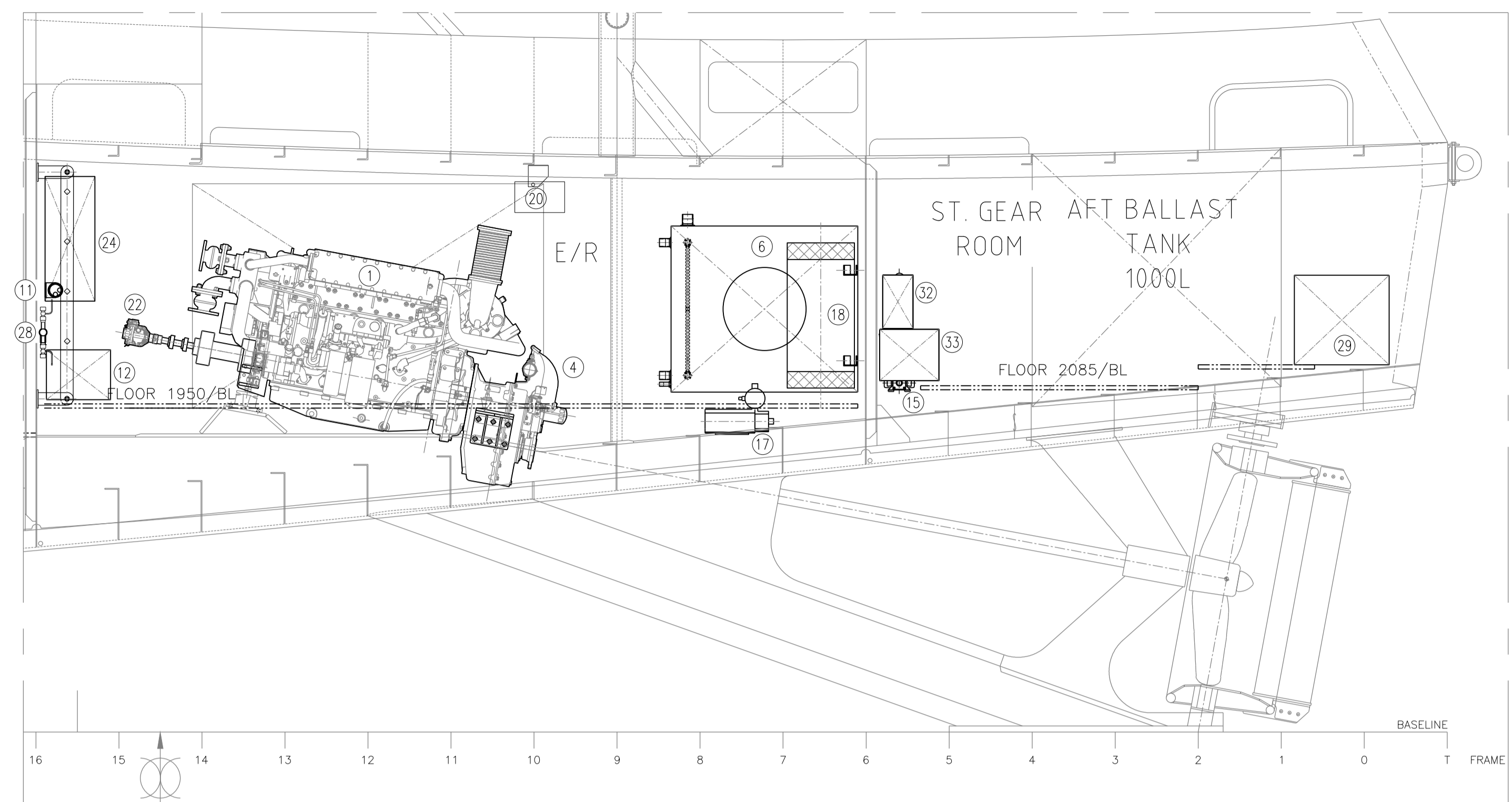
+61 (0)8 9336 6664
design@MMD.net.au
www.MMD.net.au

PROJECT	"McEWEN" 15m LINE HANDLER
TITLE	GENERAL ARRANGEMENT
CLIENT	STRATEGIC MARINE
SCALE	1:50
DRAWING No.	15037-100
REV.	J

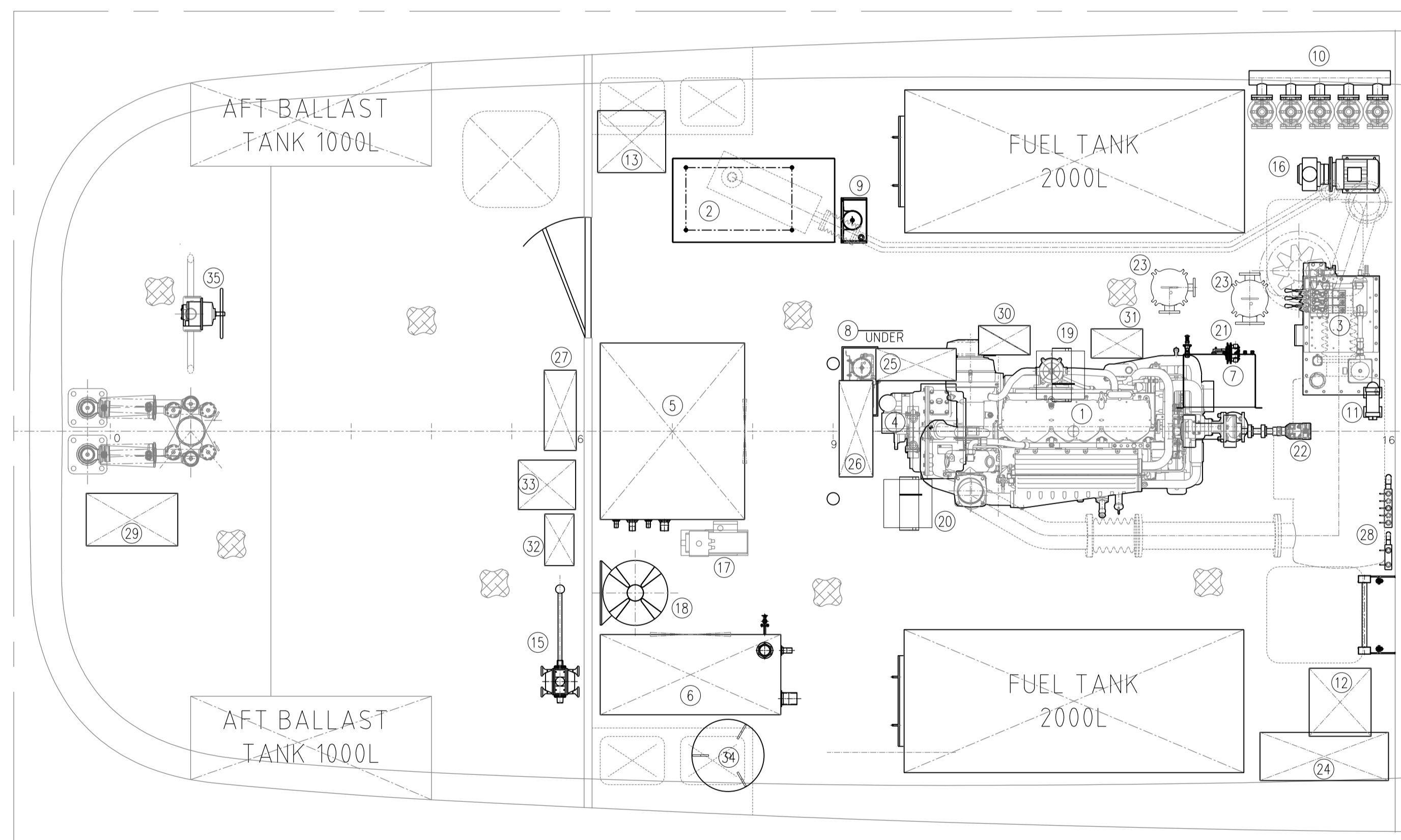
DO NOT SCALE
THIS DOCUMENT MUST BE REPRODUCED IN COLOUR TO ENSURE CLARITY
ALL DIMENSIONS IN mm UNLESS OTHERWISE NOTED



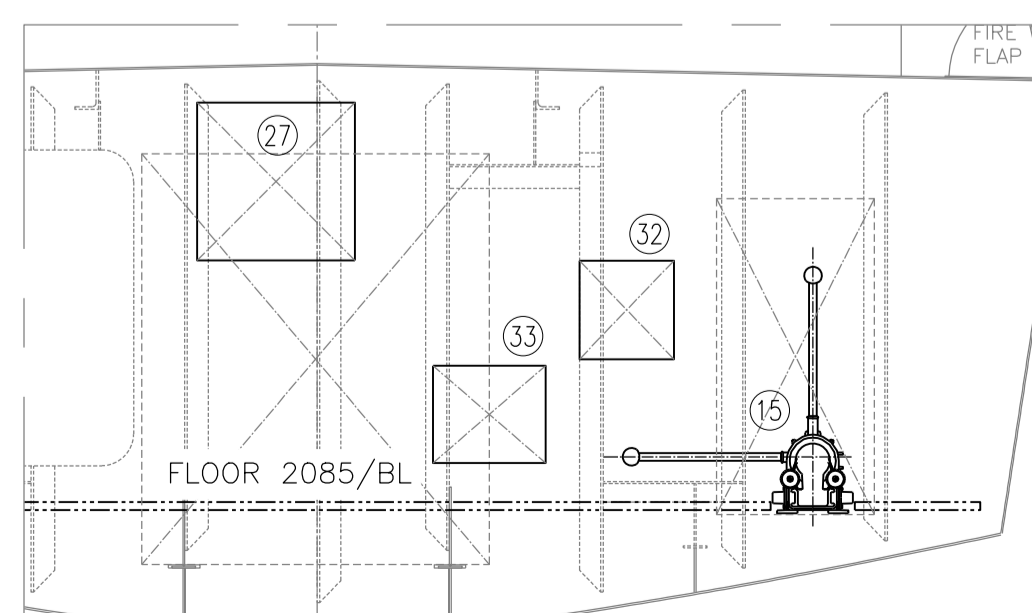
PROFILE VIEW
LOOKING TO PORT SCALE 1:25



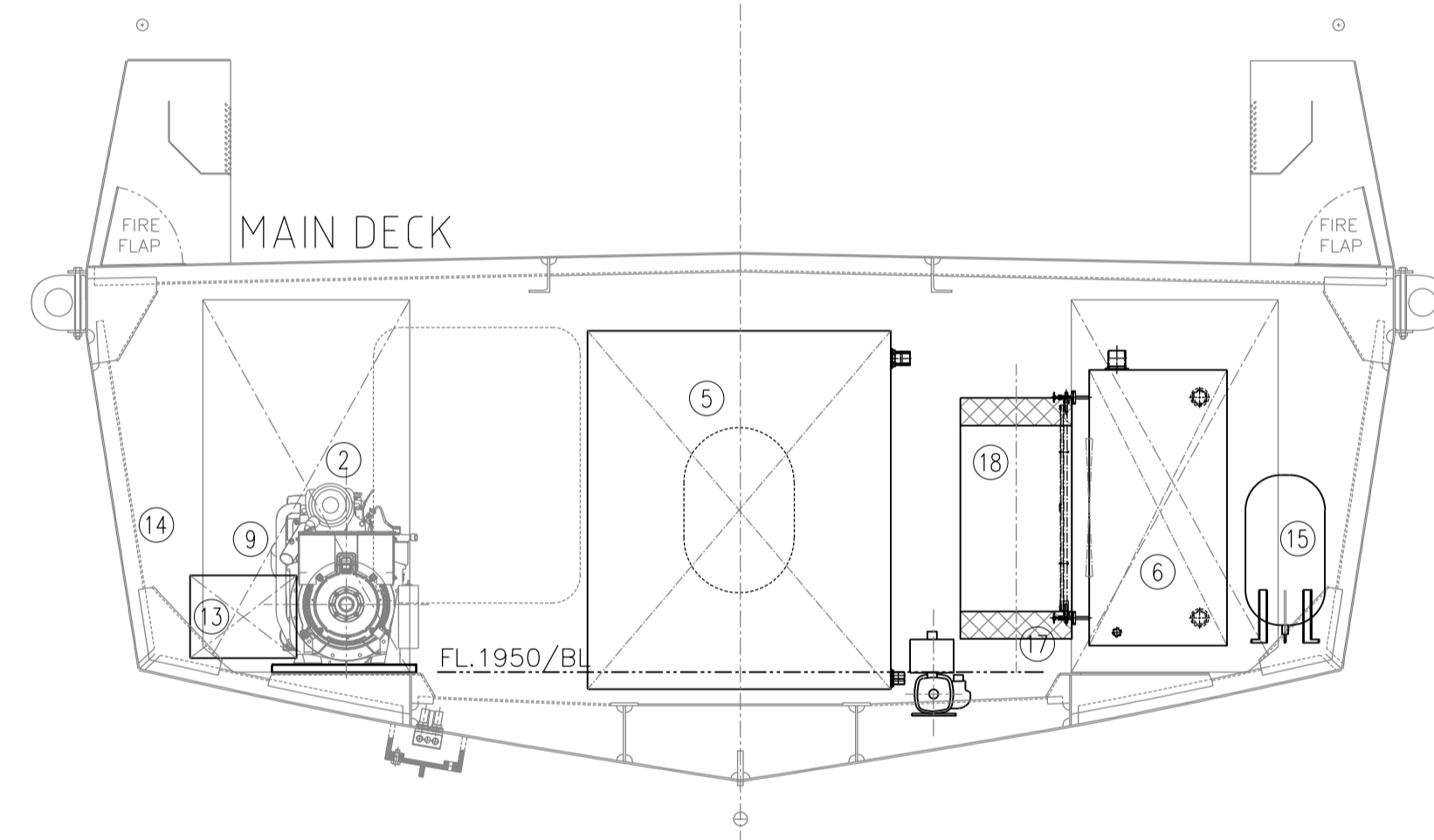
PROFILE VIEW
LOOKING TO STBD SCALE 1:25



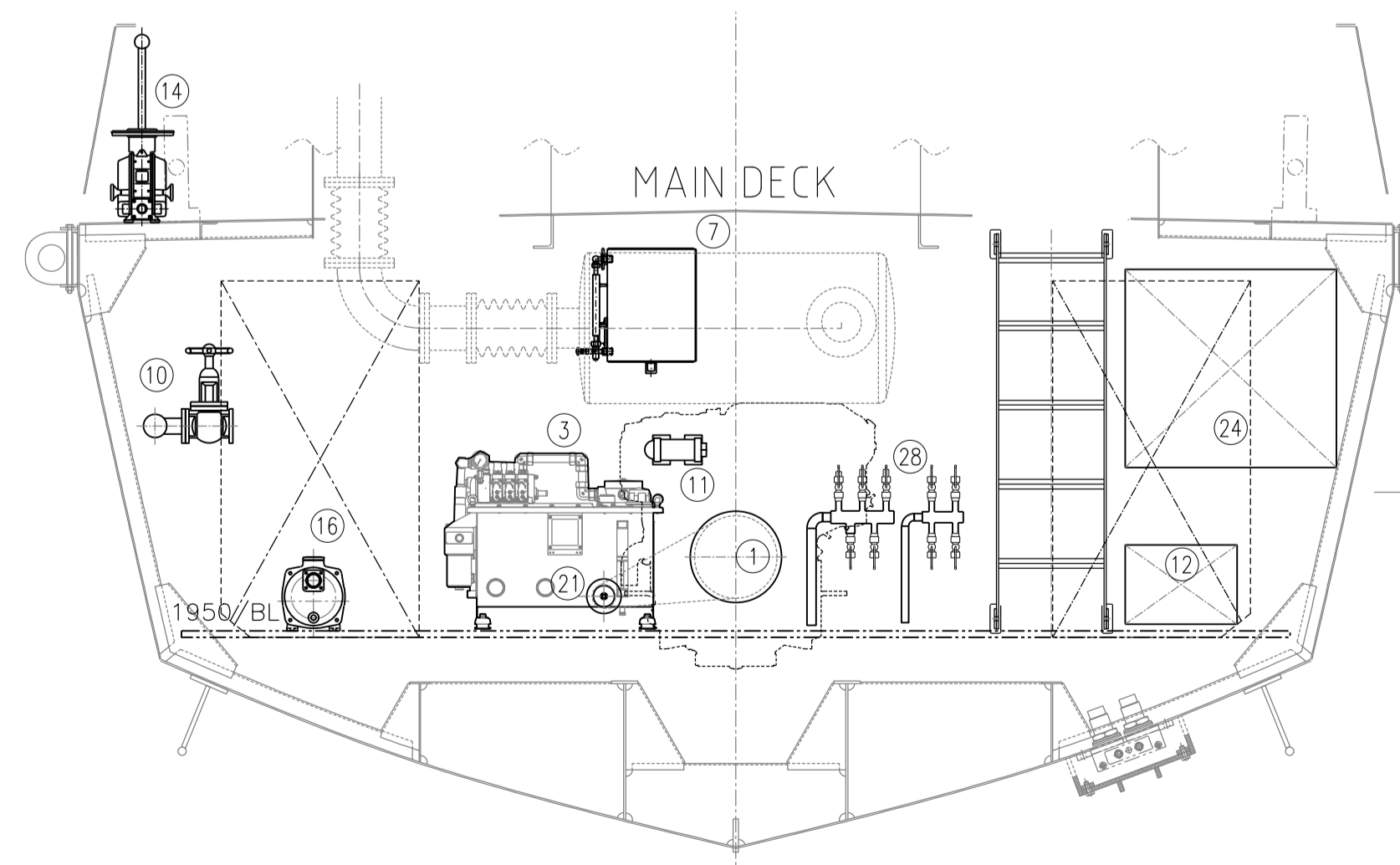
ENGINE ROOM PLAN VIEW
SCALE 1:25



FRAME 5-FRAME6
LOOKING FWD SCALE 1:25



FRAME 6-FRAME9
LOOKING FWD SCALE 1:25



FRAME 14-FRAME16
LOOKING FWD SCALE 1:25

ITEM	QTY	DESCRIPTION	MANUFACTURER/SUPPLIER	MODEL/PART NO.
1	1	MAIN ENGINE	CATERPILLAR	C 12
2	1	GENSET	CATERPILLAR	C 1.5
3	1	HYDRAULIC TANK	KOMPLETT	60L
4	1	GEARBOX	ZF	W320 SERIES
5	1	FRESH WATER TANK	TEK TANKS	1200L
6	1	BILGE/DIRTY OIL TANK	TEK TANKS	500L
7	1	M/E EXPANSION TANK	CATERPILLAR	-
8	1	MAIN ENGINE FILTER (DUPLX FILTER)	CATERPILLAR	-
9	1	GENSET FILTER (SINGLE FILTER)	BY YARD	-
10	1	BILGE MANIFOLD	BY YARD	-
11	1	HYDRAULIC OIL COOLER	BOWMAN	-
12	1	MAIN ENGINE BATTERY BOX	BY YARD	-
13	1	GENSET BATTERY BOX	BY YARD	-
14	1	MANUAL BILGE/FIRE HAND PUMP	GUSHER	-
15	1	MANUAL BILGE TANK DISCHARGE HAND PUMP	GUSHER	-
16	1	BILGE/FIRE PUMP	AZCUE	AZCUE CA-50-3
17	1	FW PRESSURE PUMP	GRUNDFOS	GRUNDFOS CMP 3-55
18	1	WATER HEATER/CALORIFIER	VETUS	WH55C
19	1	AEROSOL GENERATOR	EPAS	5700 GRAMS
20	1	AEROSOL GENERATOR	EPAS	2000 GRAMS
21	1	SEA WATER COOLING PUMP (DRIVEN BY M/E)	JABSCO	6490 SERIES - CW404
22	1	HYDRAULIC PUMP	DANFOSS	-
23	2	SEA STRAINER	BY YARD	-
24	1	MAIN SWITCHBOARD	SE	800x750x300
25	1	M/E/GENSET BATTERY ISOLATION PANEL	SE	500x500x200
26	1	M/E LOCAL OPERATOR PANEL	CATERPILLAR	600x600x200
27	1	ALARM PANEL	SE	500x500x200
28	1	FRESH WATER MANIFOLD	BY YARD	-
29	1	HPU (STEERING GEAR)	SCANIA	570x540x320
30	1	ENGINE ROOM FAN CONTROL PANEL	SE	150x100x90
31	1	BILGE FIRE CONTROL PANEL	SE	500x500x200
32	1	STEERING GEAR STARTER PANEL	SCANIA	400x500x200
33	1	TRANSFORMER	SE	450x400x360
34	1	WATER PRESSURE SET TANK	VAREM US-100-361	VAREM US-100-361
35	1	HYDRAULIC HELM PUMP	SCANIA	D75F

HPT-039235

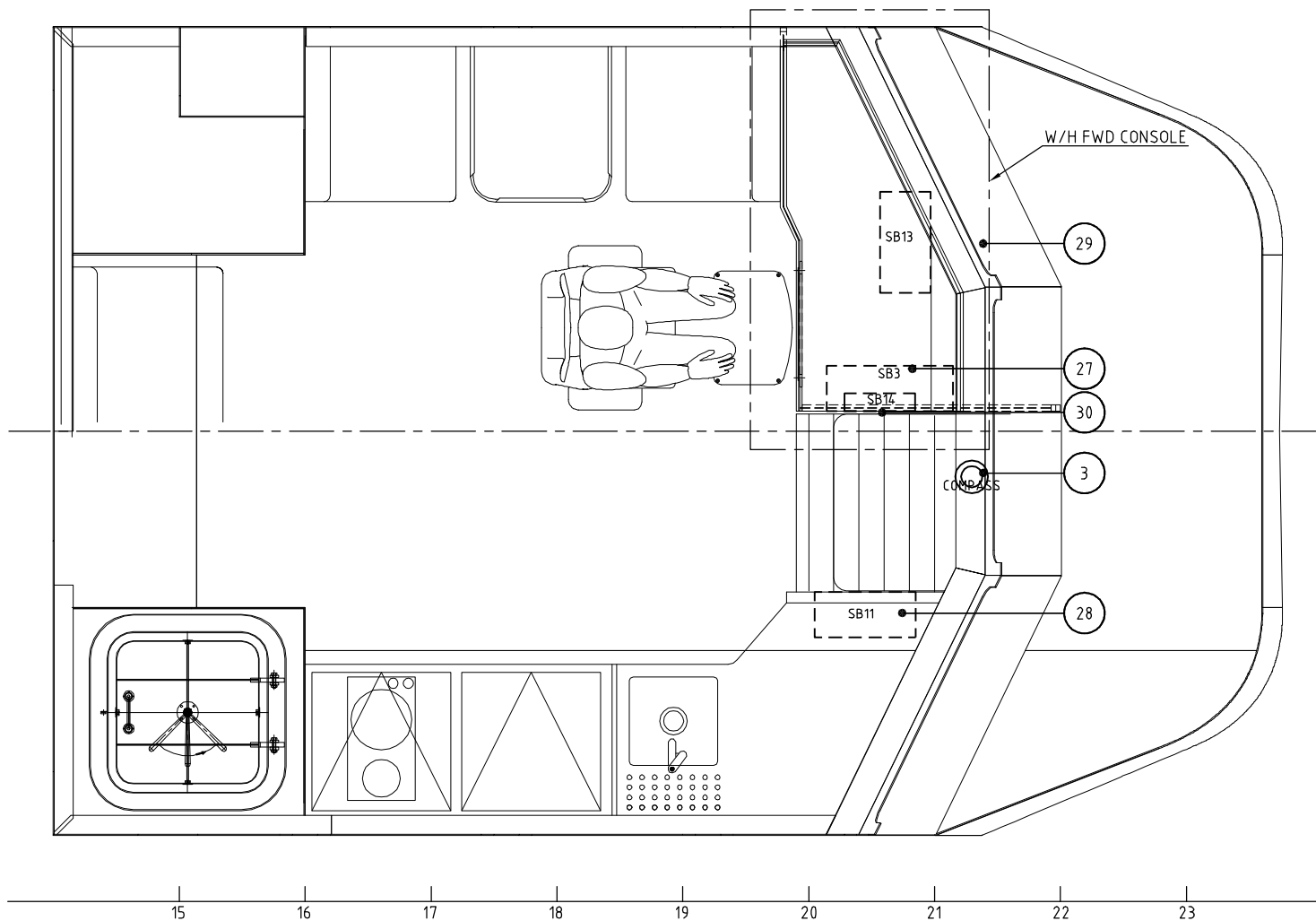


ENGINE ROOM LAYOUT

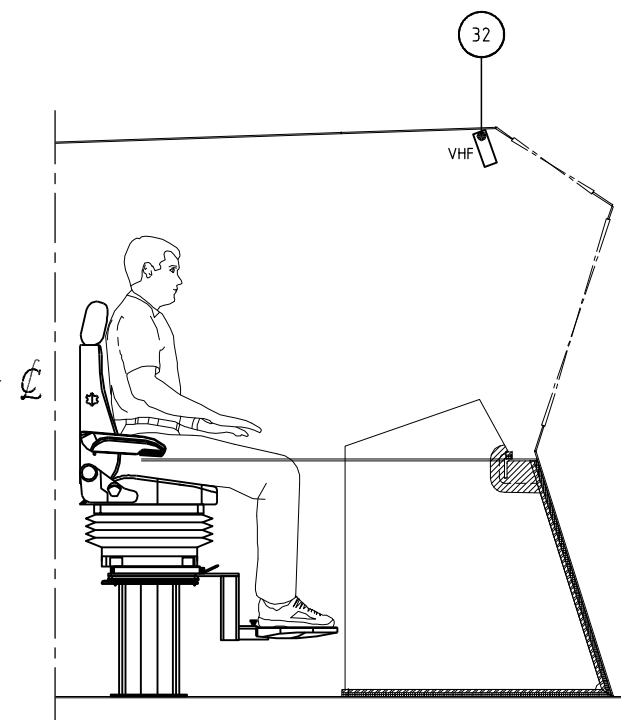
PROJECT	IS.52M SINGLE SCREW LINEBOAT	HULL No.	H375
DRAWING REF.	SM248-15-003_B	SHEET No.	1 OF 1
		SCALE	1:25 OR AS SHOWN

DRAWN	CHECKED	APPROVED	DATE
H.NGUYEN	L.NGUYEN	B.TRAN	20/05/2016
REV	REVISION DETAILS	DATE	DRN
A	ADDED FW PRESSURE SET TANK... AS BUILT	25/10/2016	LDANG
	FOR CONSTRUCTION	07/06/2016	L.NGUYEN
			B.TRAN

THIS DRAWING AND ALL INFORMATION CONTAINED WITHIN REMAIN THE SOLE PROPERTY OF STRATEGIC MARINE. NO PART MAY BE COPIED, MODIFIED OR TRANSFERRED TO ANY OTHER PARTY WITHOUT THE PRIOR WRITTEN PERMISSION OF STRATEGIC MARINE.

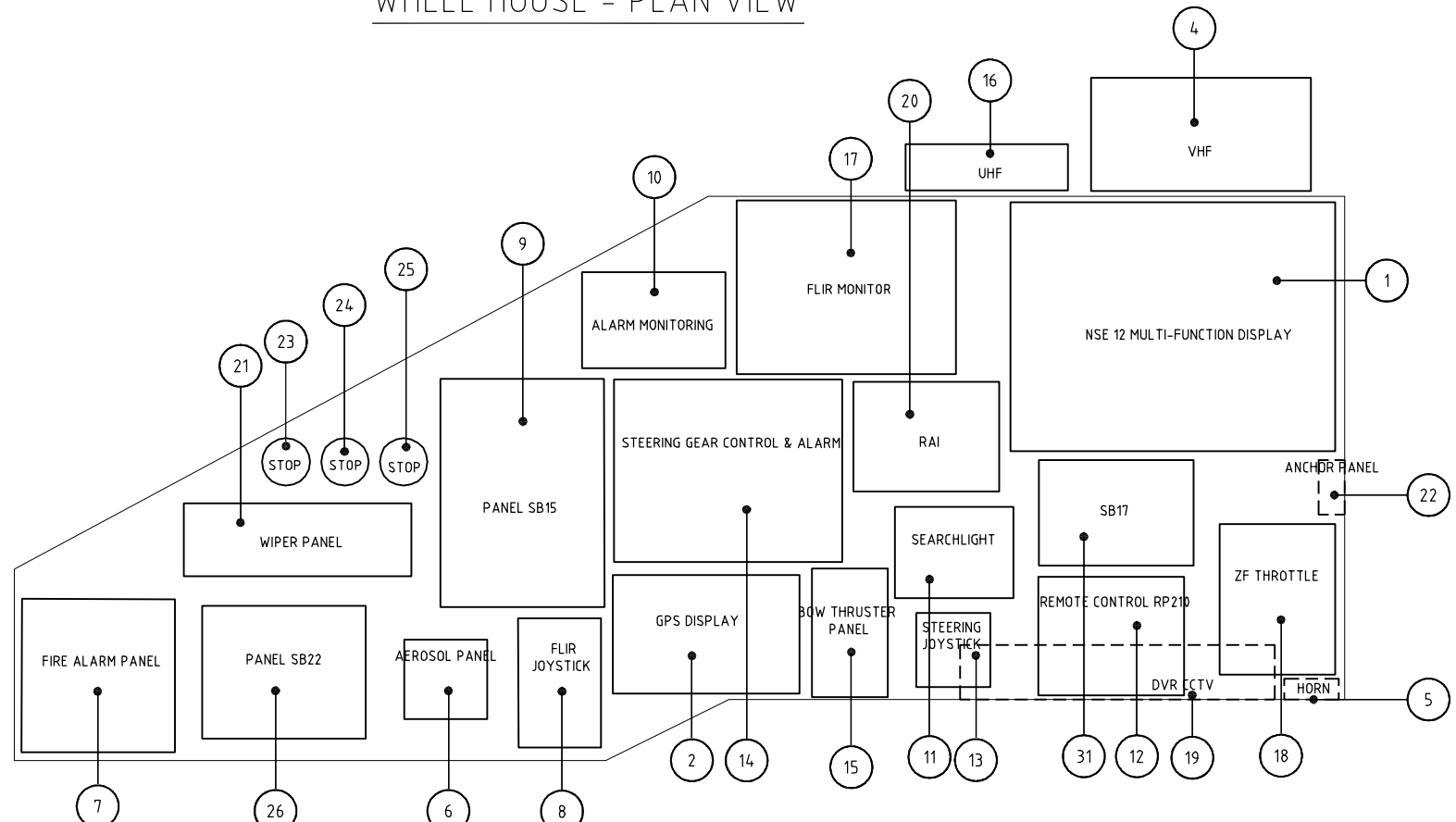


WHEEL HOUSE - PLAN VIEW



WHEEL HOUSE - PROFILE VIEW

EQUIPMENT LISTS WHEELHOUSE CONSOLE			
ITEM	QTY	DESCRIPTIONS	SUPPLIER
1	1	SIMRAD NSE 12 MULTI-FUNCTION DISPLAY	AMI
2	1	FURUNO GP-32 GPS DISPLAY	AMI
3	1	AUTONAUTIC FLUSH MOUNT MAGNETIC COMPASS C15-150	AMI
4	1	SAILOR 6248 VHF RADIO	AMI
5	1	HORN SWITCH	AMI
6	1	AEROSOL CONTROL PANEL	EPAS
7	1	FIRE ALARM CONTROL PANEL	EPAS
8	1	FLIR JOYSTICK	AMI
9	1	NAVIGATION LIGHT PANEL SB15	SE
10	1	ALARM MONITORING PANEL	SE
11	1	SEARCHLIGHT REMOTE CONTROL PANEL	AMI
12	1	REMOTE CONTROL PANEL RP210	CAT
13	1	STEERING GEAR JOYSTICK	SCANDIA
14	1	STEERING GEAR CONTROL AND ALARM PANEL	SCANDIA
15	1	BOW THRUSTER CONTROL PANEL	AMI
16	1	UHF RADIO APX2500	CLIENT
17	1	FLIR MONITOR	AMI
18	1	ZF THROTTLE	ZF
19	1	DVR CCTV (UNDER CONSOLE)	AMI
20	1	RUDDER ANGLE INDICATOR	CAT
21	1	WIPER CONTROL PANEL	WYNN MARINE
22	1	ANCHOR WINCH PANEL	MAXWELL
23	1	FAN STOP	YARD
24	1	EMERGENCY GENSET STOP	YARD
25	1	EMERGENCY M.E STOP	CAT
26	1	PANEL CONTROL SB22	SE
27	1	BRIDGE AC DISTRIBUTION PANEL SB3	SE
28	1	ESS & NON ESS DC DISTRIBUTION PANEL SB11	SE
29	1	RADIO DC DISTRIBUTION PANEL SB13	SE
30	1	BRIDGE DC MONITORING PANEL SB14	SE
31	1	REMOTE CONTROL PANEL SB17	SE
32	1	LOWRANCE LINK-5 VHF BASE UNIT & MICROPHONE	AMI



WHEEL HOUSE FWD CONSOLE - EXPANDED DETAILS

REFERENCES:

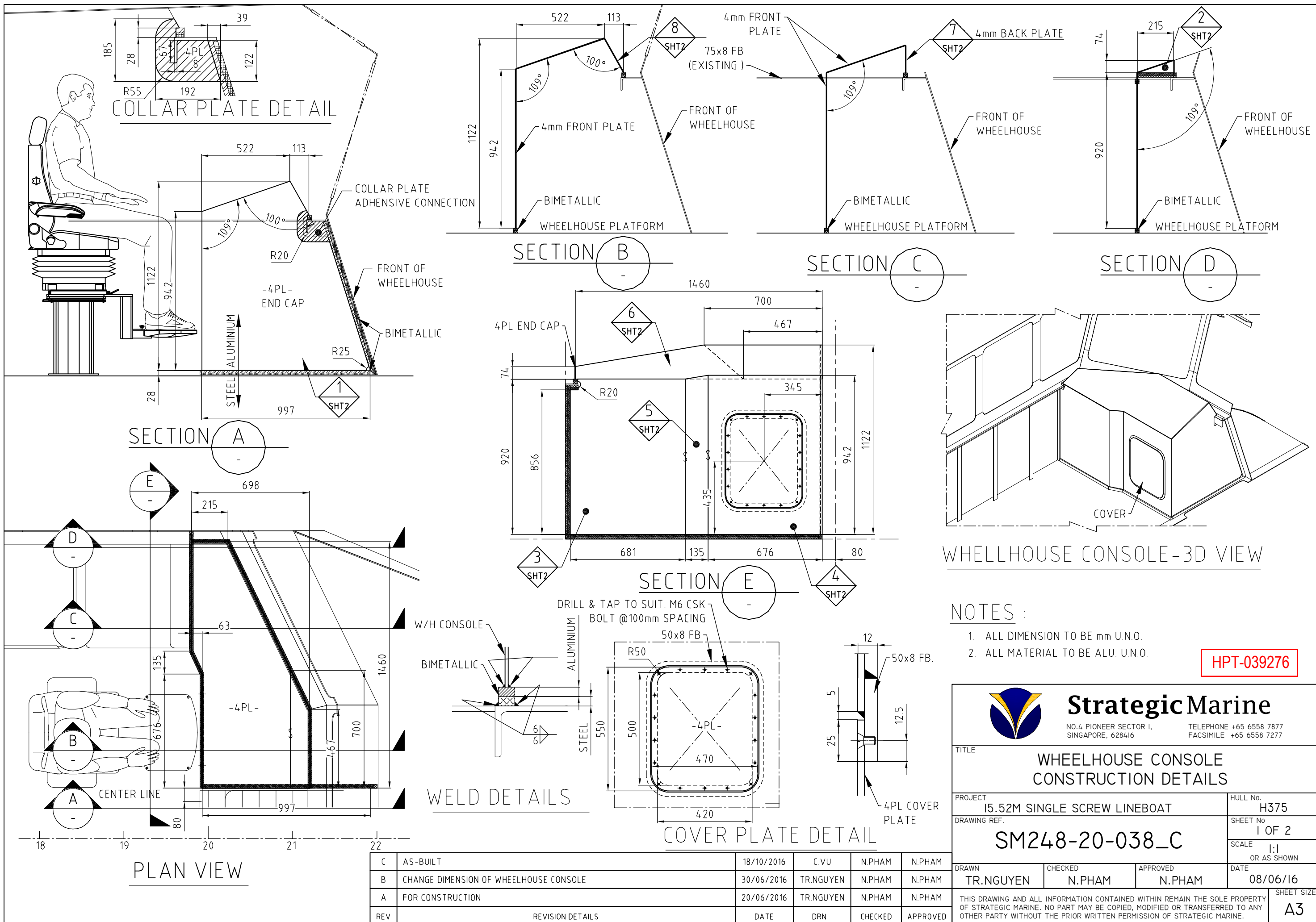
- SM248-15-006_ACCOMMODATION BOUNDARIES WHEELHOUSE
- SM248-20-038_WHEELHOUSE CONSOLE CONSTRUCTION DETAILS
- SYSTEM ELECTRIC_AC-DC SUB BOARD & GA
- H375_CABLE LAYOUT & EQUIPMENT DIMENSION (AMI)

HPT-039237



TITLE WHEELHOUSE CONSOLE ARRANGEMENT			
PROJECT I5.52M SINGLE SCREW LINEBOAT	HULL No. H375		
DRAWING REF. SM248-15-007_C		SHEET No. 1 OF 1	
SCALE 1:20 OR AS SHOWN		DATE 13/06/16	
DRAWN T.PHAM	CHECKED L.NGUYEN	APPROVED B.TRAN	DATE 13/06/16
THIS DRAWING AND ALL INFORMATION CONTAINED WITHIN REMAIN THE SOLE PROPERTY OF STRATEGIC MARINE. NO PART MAY BE COPIED, MODIFIED OR TRANSFERRED TO ANY OTHER PARTY WITHOUT THE PRIOR WRITTEN PERMISSION OF STRATEGIC MARINE.			SHEET SIZE A2


REV	REVISION DETAILS	DATE	DRN	CHECKED	APPROVED
C	REARRANGEMENT THE EQUIPMENT ON W/H CONSOLE - AS BUILT	24/11/16	T.PHAM	L.NGUYEN	B.TRAN
B	REARRANGEMENT THE EQUIPMENT ON W/H CONSOLE	22/08/16	T.PHAM	L.NGUYEN	B.TRAN
A	FOR CONSTRUCTION	14/07/16	T.PHAM	L.NGUYEN	B.TRAN



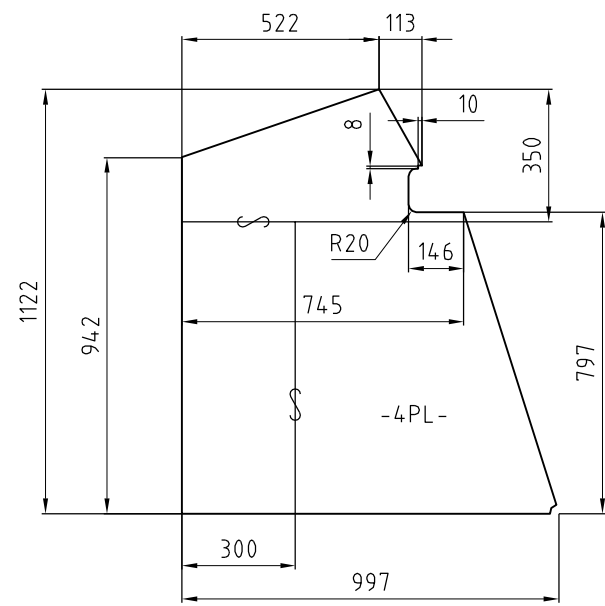
NOTES :


1. ALL DIMENSION TO BE mm U.N.O.
2. ALL MATERIAL TO BE ALU. U.N.O.

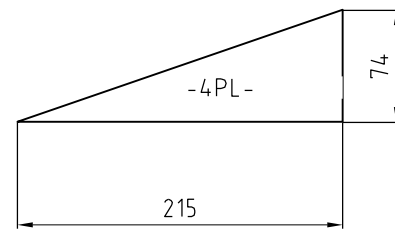
HPT-039276


 Strategic Marine NO.4 PIONEER SECTOR I, SINGAPORE, 628416 TELEPHONE +65 6558 7877 FACSIMILE +65 6558 7277	
TITLE WHEELHOUSE CONSOLE CONSTRUCTION DETAILS	
PROJECT 15.52M SINGLE SCREW LINEBOAT	HULL No. H375
DRAWING REF. SM248-20-038_C	SHEET No. 1 OF 2
DRAWN TR.NGUYEN	CHECKED N.PHAM
APPROVED N.PHAM	DATE 08/06/16
THIS DRAWING AND ALL INFORMATION CONTAINED WITHIN REMAIN THE SOLE PROPERTY OF STRATEGIC MARINE. NO PART MAY BE COPIED, MODIFIED OR TRANSFERRED TO ANY OTHER PARTY WITHOUT THE PRIOR WRITTEN PERMISSION OF STRATEGIC MARINE.	
SHEET SIZE A3	

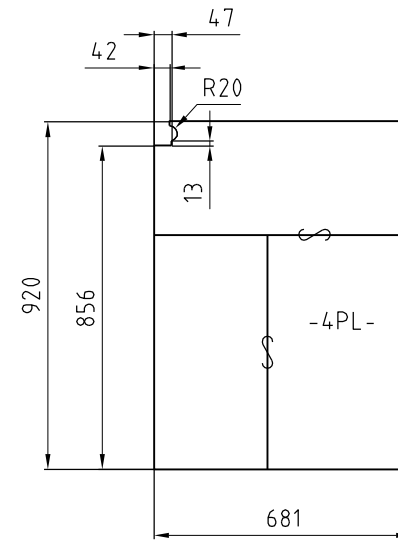
REV	REVISION DETAILS	DATE	DRN	CHECKED	APPROVED
C	AS-BUILT	18/10/2016	C VU	N.PHAM	N.PHAM
B	CHANGE DIMENSION OF WHEELHOUSE CONSOLE	30/06/2016	TR.NGUYEN	N.PHAM	N.PHAM
A	FOR CONSTRUCTION	20/06/2016	TR.NGUYEN	N.PHAM	N.PHAM




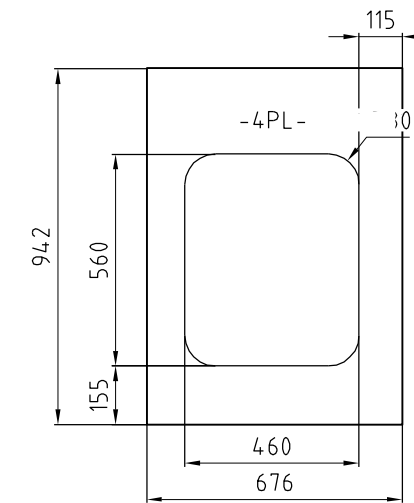
ITEM  QTY : 1
SCALE 1:20

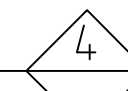


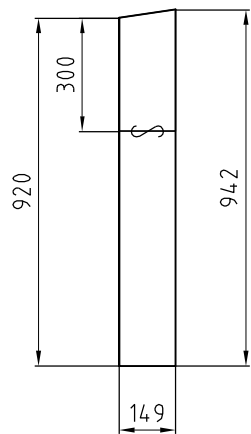
ITEM  QTY : 1
SCALE 1:5




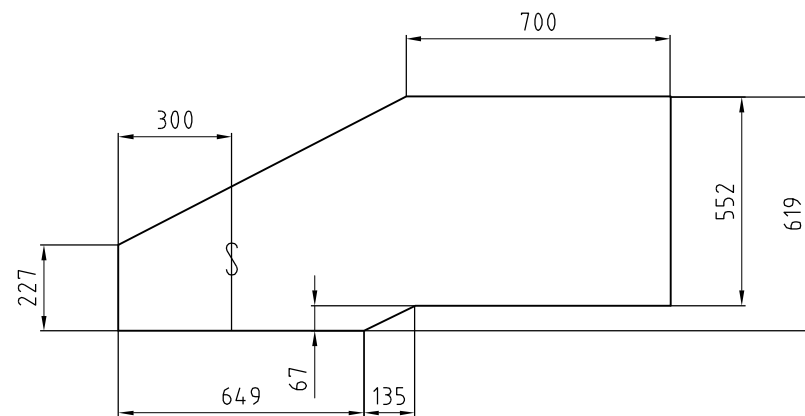
ITEM  QTY : 1
SCALE 1:20

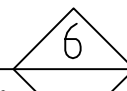


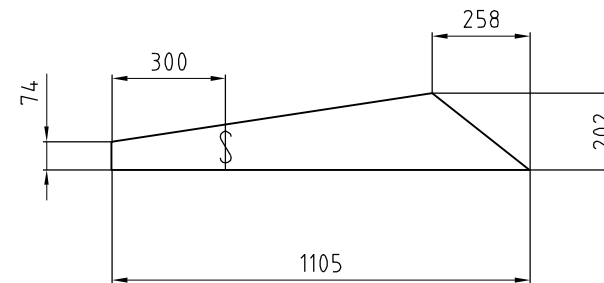
ITEM  QTY : 1
SCALE 1:20




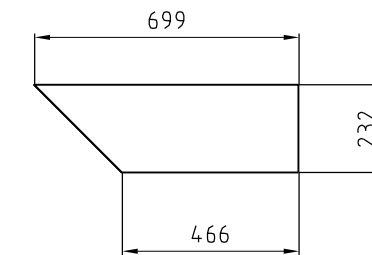
ITEM  QTY : 1
SCALE 1:20



ITEM  QTY : 1
SCALE 1:20



ITEM  QTY : 1
SCALE 1:20



ITEM  QTY : 1
SCALE 1:20

AS BUILT (27-Oct-2016)

REV	REVISION DETAILS	DATE	DRN	CHECKED	APPROVED
C	AS-BUILT	18/10/2016	C.VU	N.PHAM	N.PHAM
B	CHANGE DIMENSION OF WHEELHOUSE CONSOLE	30/06/16	TR.NGUYEN	N.PHAM	N.PHAM
A	FOR CONSTRUCTION	20/06/2016	TR.NGUYEN	N.PHAM	N.PHAM

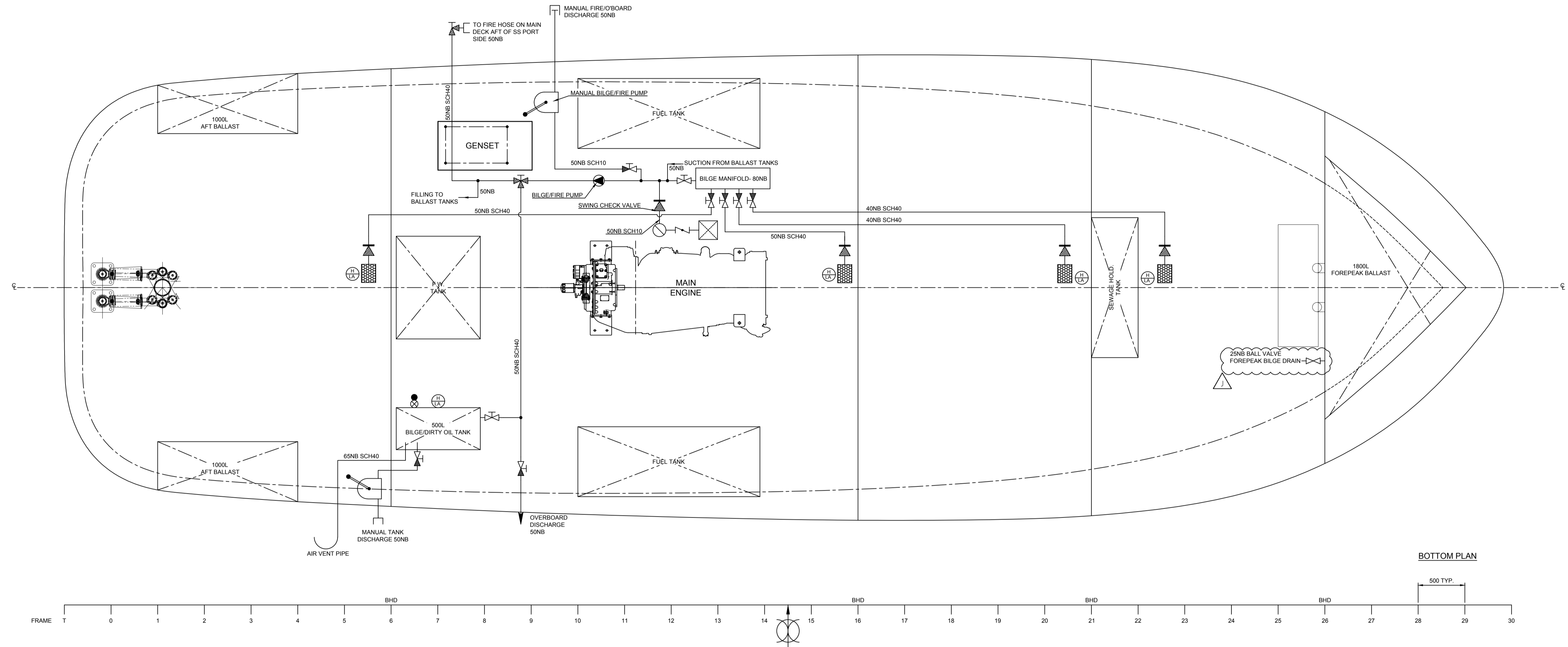


Strategic Marine

NO.4 PIONEER SECTOR I, SINGAPORE, 628416
TELEPHONE +65 6558 7877
FACSIMILE +65 6558 7277

TITLE WHEELHOUSE CONSOLE CONSTRUCTION DETAILS			
PROJECT 15.52M SINGLE SCREW LINEBOAT	HULL No. H375		SHEET No. 2 OF 2
DRAWING REF. SM248-20-038_C			SCALE 1:1 OR AS SHOWN
DRAWN TR.NGUYEN	CHECKED N.PHAM	APPROVED N.PHAM	DATE 08/06/16
THIS DRAWING AND ALL INFORMATION CONTAINED WITHIN REMAIN THE SOLE PROPERTY OF STRATEGIC MARINE. NO PART MAY BE COPIED, MODIFIED OR TRANSFERRED TO ANY OTHER PARTY WITHOUT THE PRIOR WRITTEN PERMISSION OF STRATEGIC MARINE.			SHEET SIZE A3

SYMBOL	DESCRIPTION	SIZE	QTY	DETAIL	SYMBOL	DESCRIPTION	SIZE	QTY	DETAIL
	FIRE / BILGE PUMP	-	1	11KL/h		SCREW DOWN NON RETURN VALVE	40NB	2	BRONZE
	MANUAL PUMP	-	2	5.5KL/h		GATE VALVE	50NB	5	BRONZE
	INTERNATIONAL SHORE CONNECTION	-	1	-		THREE WAY VALVE	50NB	2	BRONZE
	END CAP SCREW TYPE	50NB	1	ALUMINIUM CAMLOCK		BUTTERFLY VALVE	50NB	1	BRONZE
	STRUM BOX	40NB	2	-		CHECK VALVE	80NB	1	CAST STEEL
	VENT	50NB	2	-		CHECK VALVE	40NB	2	BRONZE
	HIGH LEVEL ALARM	65NB	1	AIR HEAD VENT		CHECK VALVE	50NB	2	BRONZE
	STRAINER	-	5	ALARMED IN ENGINE ROOM AND WHEELHOUSE		RIGHT ANGLE MORRIS TYPE HYDRANT VALVE + 15m HOSE WITH NOZZLE, TYPE APPROVED	50NB	1	BRONZE
	SIGHT GLASS	50NB	1	STAINLESS STEEL		BALL VALVE	50NB	1	BRONZE
	SEA SUCTION	-	1	SELF CLOSING VALVE TOP AND BOTTOM		BALL VALVE	25NB	1	STAINLESS STEEL
	SEA SUCTION	50NB	1	STAINLESS STEEL					



BOTTOM PLAN

NOTES

- BILGE SUCTION POINTS TO BE AT THE LOWEST POINT OF EACH COMPARTMENT AS PRACTICAL.
- BILGE PIPING BELOW DECK SHALL BE GALVANISED STEEL.
- ALL SEAWATER PIPING TO BE SS 316 SCH10.
- PIPING THROUGH AND ABOVE DECK TO BE SS 316 SCH10 UON.
- PIPING TO BE SUITABLY SUPPORTED IN LINE WITH CLIPS TO MINIMISE VIBRATION.
- PIPING NOT TO BE WELDED TO STRUCTURE. FLANGES TO BE USED AT BULKHEADS.
- VENTS TO BE SS316 ABOVE DECK, GALVANISED STEEL BELOW DECK.
- HULL PENETRATIONS TO SHIP SIDE VALVES TO BE EXTRA HEAVY PIPE.
- STRUM BOXES GALVANISED AFTER FABRICATION.
- VALVES AND PIPING PRESSURE RATING TO SUIT PUMP OUTPUT.
- SYSTEM TO BE COLOUR CODED.
- ALL VENTS LED ABOVE DECK TO BE AIR VENT HEAD TYPE UNDER BULWARK CAPPING, 760 MM HEIGHT ABOVE DECK UON.
- SHELL VALVES AT SEA CHEST AND OVERBOARD DISCHARGE WILL REQUIRE CLASS APPROVED CERTIFICATE.

Strategic Marine
 NO.4 PIONEER SECTOR I, SINGAPORE, 628416
 TELEPHONE +65 6558 7877
 FACSIMILE +65 6558 7277

DRAWING REF: SM248-26-002	REVISION: J	HULL NO: H375
------------------------------	----------------	------------------

© COPYRIGHT 2016. THIS DRAWING, INCLUDING THE CONCEPTUAL CONTENT THEREOF AND ANY SPECIFICATIONS AND PARTICULARS THEREOF, IS AN INTEGRAL PART OF THE INTELLECTUAL PROPERTY OF MALPINE MARINE DESIGN PTY. LTD. THIS DRAWING IS NOT TO BE REPRODUCED OR COPIED, IN WHOLE OR IN PART OR LOANED OR OTHERWISE COMMUNICATED TO ANY THIRD PARTY OR USED IN ANY MANNER DETRIMENTAL TO THE INTERESTS OF MALPINE MARINE DESIGN PTY. LTD. WITHOUT SAID COMPANY'S EXPRESS CONSENT. ACCEPTANCE OF THIS DRAWING SHALL BE CONSTRUED AS AGREEMENT TO COMPLY WITH THE AFORESAID TERMS AND CONDITIONS.



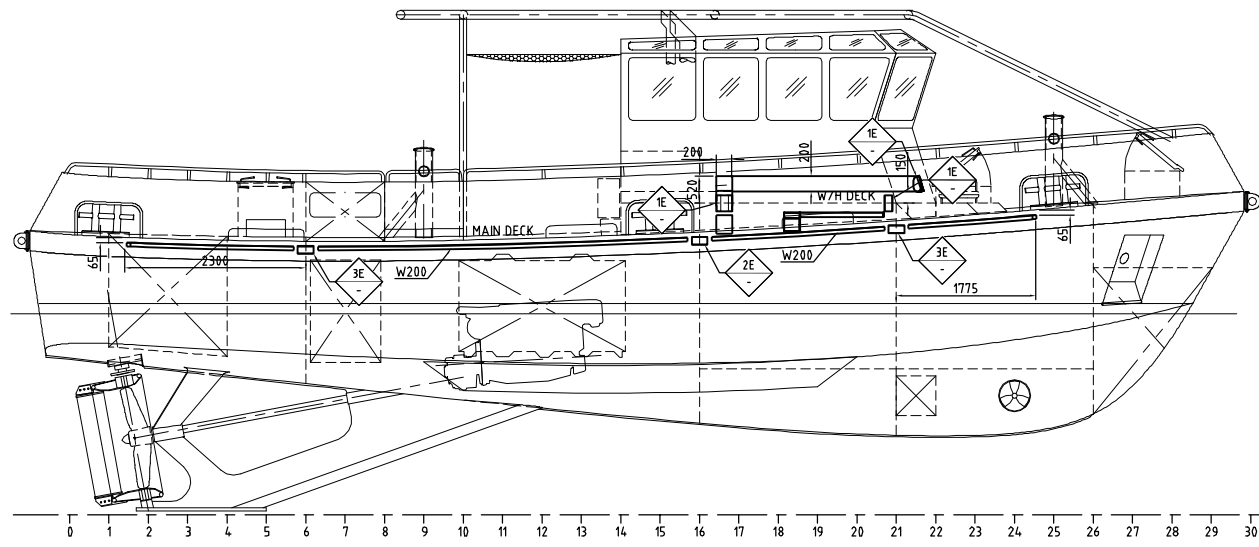
J	ADDED BALL VALVE FOR FOREPEAK BILGE DRAIN_AS BUILT	CONSTRUCTION	N.T	LN	15-02-17
H	AS BUILT	CONSTRUCTION	N.T	LN	25-10-16
G	REMOVE TWO GATE VALVES INLET & OUTLET BILGE/FIRE PUMP	CONSTRUCTION	LN	B.T	22-09-16
F	ISSUED FOR CONSTRUCTION	CONSTRUCTION	LN	B.T	08-06-16
E	ADDED BALLAST SYSTEM FEED AND RETURN	COMMENT	C.S	S.C.	17-05-16
D	UPDATED IN LINE WITH SMV COMMENTS	COMMENT	C.S	S.C.	21-04-16
C	UPDATED VALVE DETAILS AND NOTES	COMMENT	C.S	S.C.	20-04-16
REV.	DETAILS	STATUS	DRW	CHK	DATE



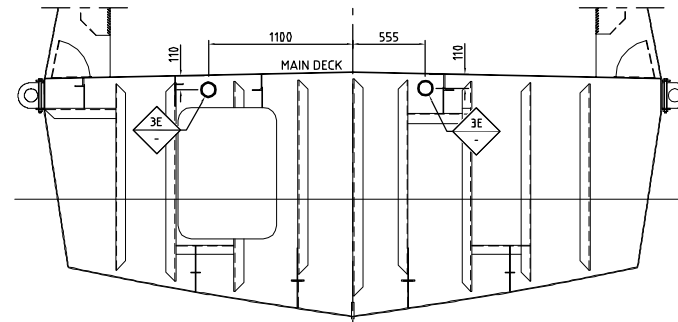
6/11 SAINSBURY ROAD
 O'CONNOR
 W.A. 6163
 AUSTRALIA
 +61 (0)8 9337 5672
 design@MMD.net.au
 www.MMD.net.au

PROJECT	15m LINE HANDLER	SCALE	N/A	A1	DRAWING NO.	15037-301	REV.	H
TITLE	BILGE & FIRE SYSTEM SCHEMATIC	DO NOT SCALE THIS DOCUMENT MUST BE REPRODUCED IN COLOUR TO ENSURE CLARITY ALL DIMENSIONS IN mm UNLESS OTHERWISE NOTED						
CLIENT	STRATEGIC MARINE							

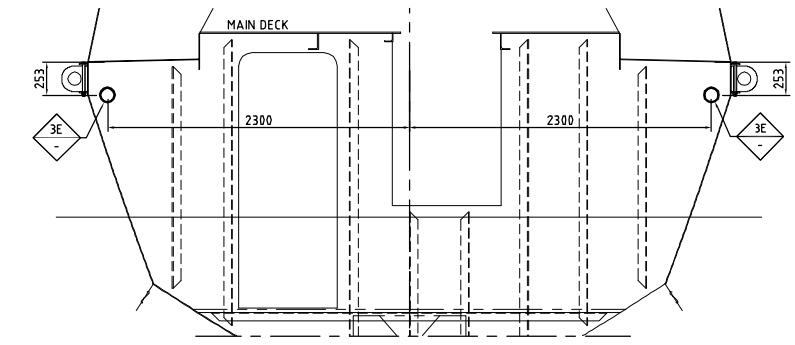
DRAWING NUMBER: SM248-26-002-01



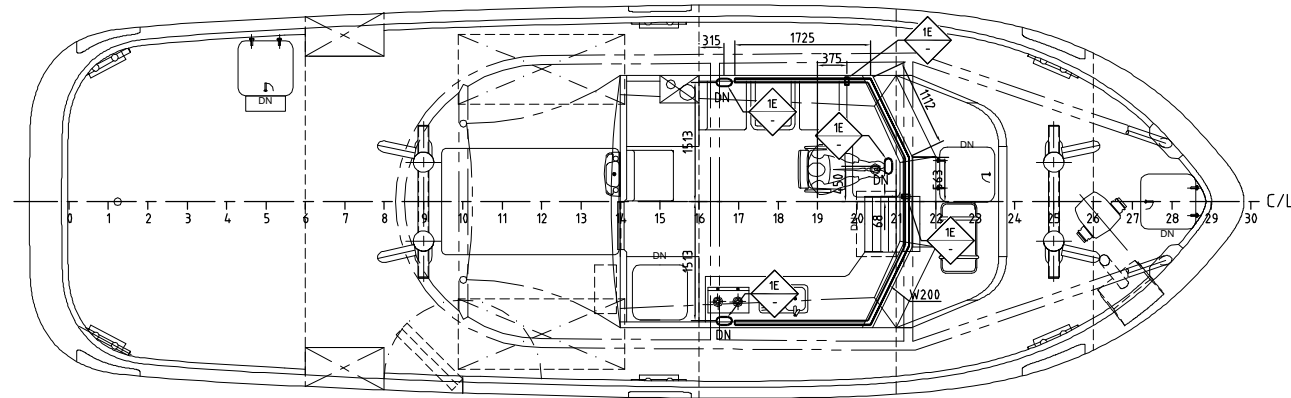
PROFILE
STBD SIDE SCALE 1:50



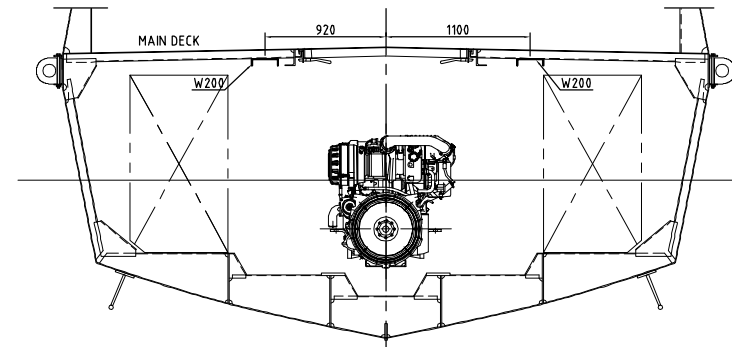
C/L
PENETRATION - FR 6
SCALE 1:30



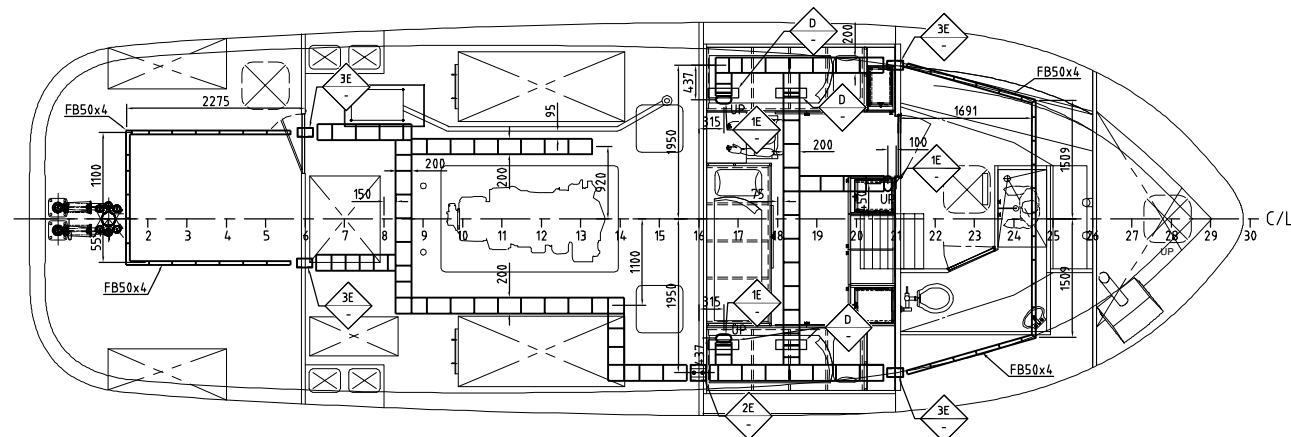
C/L
PENETRATION - FR 21
SCALE 1:30



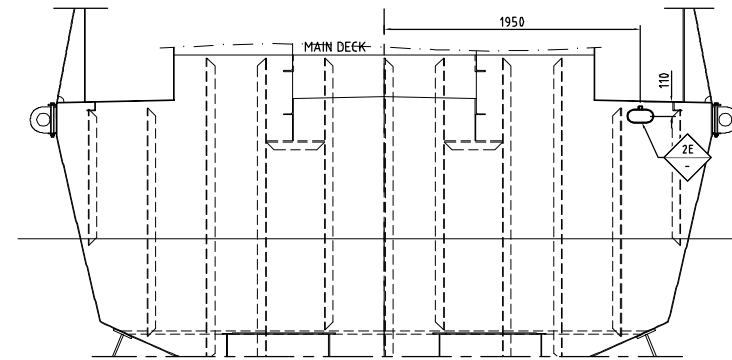
BELOW W/H DECK PLAN VIEW
SCALE 1:50



C/L
PENETRATION - FR 12
SCALE 1:30



BELOW MAIN DECK PLAN VIEW
SCALE 1:50



C/L
PENETRATION - FR 16
SCALE 1:30

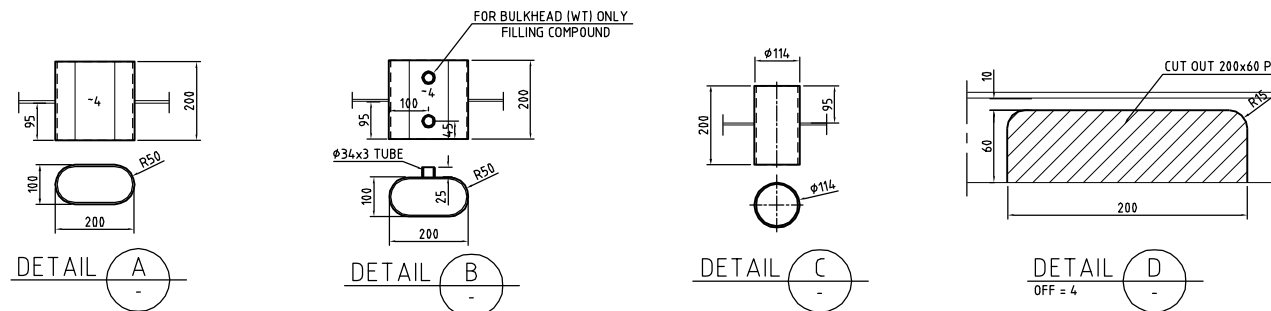
REFERENCE:

- SM248-15-001_GENERAL ARRANGEMENT
- SM248-55-004_SWITCHBOARD ARRANGEMENT
- H375 CABLE TRAY ROUTING G A (SEV)

NOTES:

- ALL CABLE TRAY TO BE ALUMINIUM
- ALL SUPPORT OF CABLE TRAY SHALL DETERMINATE ONSITE

NO.	DESCRIPTION	SIZE	PENETRATION		DETAIL	Q'TY
			TYPE	MATERIAL		
CABLE WAY SYSTEM						
1E	CABLE TRAY LINE	200x100x200x4MM	COAMING	STEEL	DETAIL A	3
2E	CABLE TRAY LINE	200x100x200x4MM	COAMING	STEEL	DETAIL B	1
3E	CABLE TRAY LINE	φ114x4MM	COAMING	STEEL	DETAIL C	4



HPT-039300

Strategic Marine
NO. 4 PIONEER SECTOR 1, SINGAPORE, 628416. TELEPHONE +65 6558 7877. FACSIMILE +65 6558 7277.

TITLE: ELECTRICAL CABLE TRAY LAYOUT AND PENETRATION DETAILS
PROJECT: 15.52M SINGLE SCREW LINEBOAT HULL No. H375
DRAWING REF: SM248-55-002_C SHEET No. 1 OF 1
SCALE: 1:50 OR AS SHOWN
DATE: 23/05/16

DESIGNED: T.PHAM	CHECKED: L.NGUYEN	APPROVED: B.TRAN
DRAWN: T.PHAM	CHECKED: L.NGUYEN	APPROVED: B.TRAN

DATE: 23/05/16

REV	DESCRIPTION	DATE	DRN	CHECKED	APPROVED
C	AS BUILT	18/10/16	T.PHAM	L.NGUYEN	B.TRAN
B	REVISED TO SUIT ONSITE	27/06/16	T.PHAM	L.NGUYEN	B.TRAN
A	FOR CONSTRUCTION	24/06/16	T.PHAM	L.NGUYEN	B.TRAN
REV	REVISION DETAILS	DATE	DRN	CHECKED	APPROVED