



A DIVISION OF GETZ FIRE EQUIPMENT

GETZ EQUIPMENT INNOVATORS  
PART No. 4G59678  
CARBON DIOXIDE MINI PUMP  
FOR EXTINGUISHER SERVICE  
(Revised 10-30-17)

## **SYSTEM REQUIRMENTS**

1. Compressed air source producing 5-8 CFM at 40 PSI must have a moisture filter prior to the pump.
2. Thick, temperature-resistant gloves capable of protecting exposed skin to -35°F.
3. Safety glasses with side-shields.
4. Carbon Dioxide high pressure supply tank with dip tube (50, 75, 100 lb. size). **NOTE: IN THE USE OF A SUPPLY TANK WITH A DIP TUBE, THERE IS ONLY 70 – 75% OF USABLE LIQUID IN THE SUPPLY CYLINDER. RUNNING THIS C02 PUMP ON VAPOR ONLY WILL DAMAGE THE PUMP AND VOID THE WARRANTY.**

## **PUMP SET-UP**

1. For the following steps, refer to the drawing on page 5. Remove the pump from the packaging. Bolt it to a wall or workbench by the mounting holes on the back of the pump enclosure (item 1). Open the enclosure to access the mounting holes. Close and latch the enclosure once this has been completed.
2. Uncoil the 3/8 supply hose (item 2) and attach it to the male flare fitting (item 3).
3. Uncoil the 1/4 fill hose (item 4) and attach it to the swivel fitting (item 5).
4. Uncoil the plastic tube (item 6). Attach the end fitting (item 7) to a compressed air source. Verify that the regulator pressure (item 16) is set to no greater than 40 PSI.
5. Insert the nylon gasket (item 8) into the grip wheel nut (item 9). Be careful that it does not fall out. Thread the grip wheel nut (item 9) firmly onto the liquid port on your Carbon Dioxide supply tank.

**NOTE: ANY ALTERATIONS OR MODIFICATONS MADE TO THIS UNIT WILL VOID ALL WARRANTIES.**

## **PUMP OPERATION**

1. Slowly open the liquid valve on your Carbon Dioxide supply tank as you check for leaks. Open the fill valve (item 10). Carbon Dioxide vapor will come out. Wait until Carbon Dioxide snow appears. Close the fill valve (item 10).

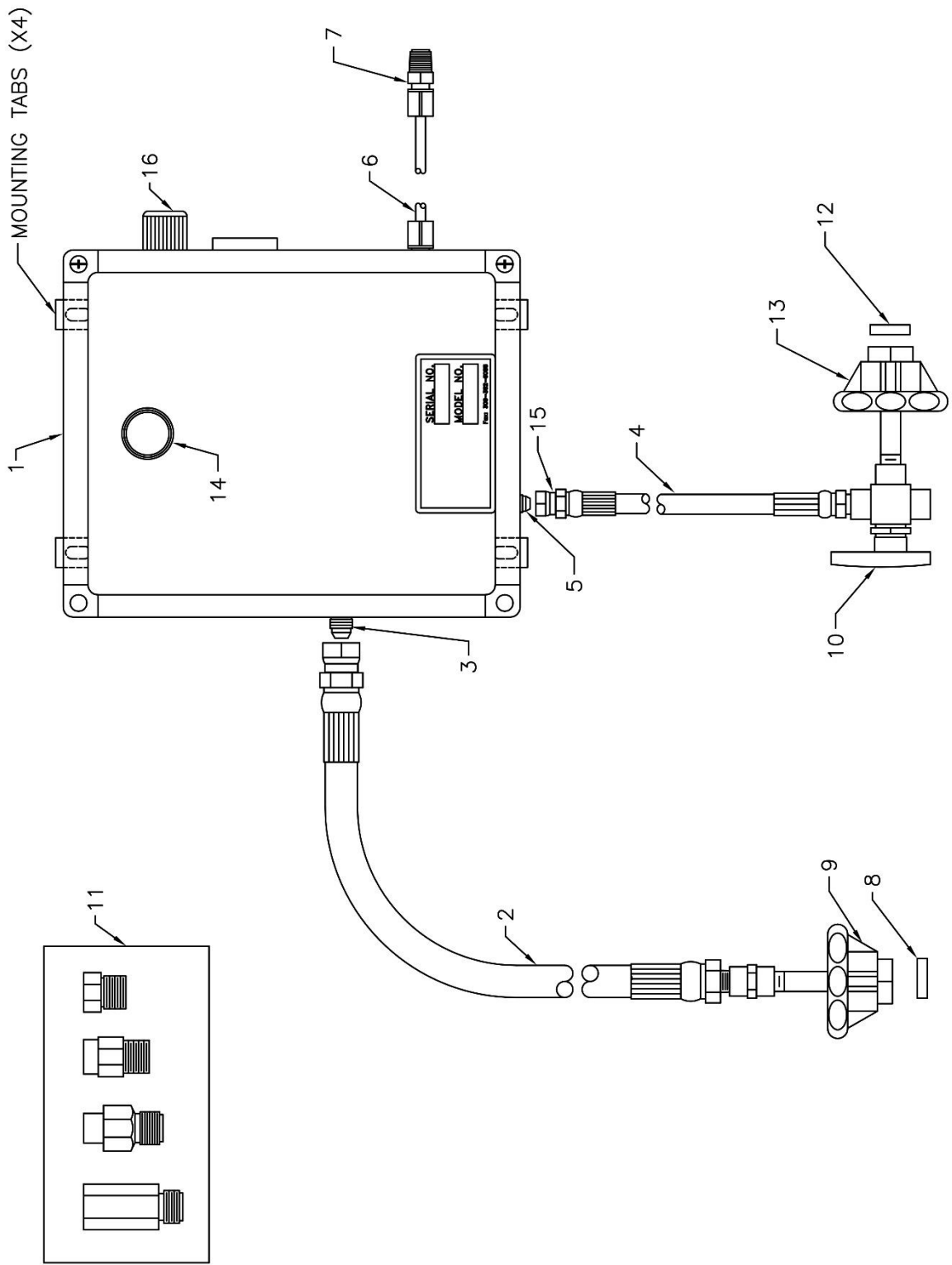
**WARNING: Frost bite hazard. Do not expose skin to Carbon Dioxide liquid or vapor.**

2. Attach one of the Carbon Dioxide adapters (items 11) to the valve head on the extinguisher you are going to fill.
3. Insert the nylon gasket (item 12) into the grip wheel nut (item 13) on the fill valve (item 10). Be careful that it does not fall out. Connect the grip wheel nut (item 13) to the adapter on the extinguisher. Secure the extinguisher to a scale so that it will not fall off. Tare the scale take note of the empty weight.
4. Open the valve on the extinguisher. Open the fill valve (item 10) and allow Carbon Dioxide to flow into the extinguisher. When the weight has stopped increasing; push the button (item 14) on the front of the enclosure (item 1) to begin pumping. Hold the button until you have filled the extinguisher to the correct weight.
5. Close the valve on the extinguisher. Briefly, turn the fill valve (item 10) to the vent position (see page 5) to relieve the pressure in the extinguisher valve. Close the fill valve (item 10).
6. Disconnect grip wheel nut (item 13) from the extinguisher. Repeat these steps for the next extinguisher of close all valves.

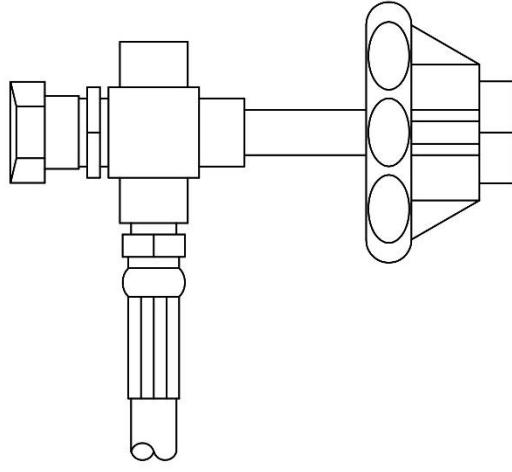
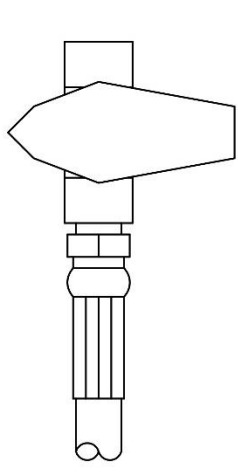
**WARNING: Do not tamper with, modify, or plug pressure relief valves within the enclosure.**

### **BILL OF MATERIALS**

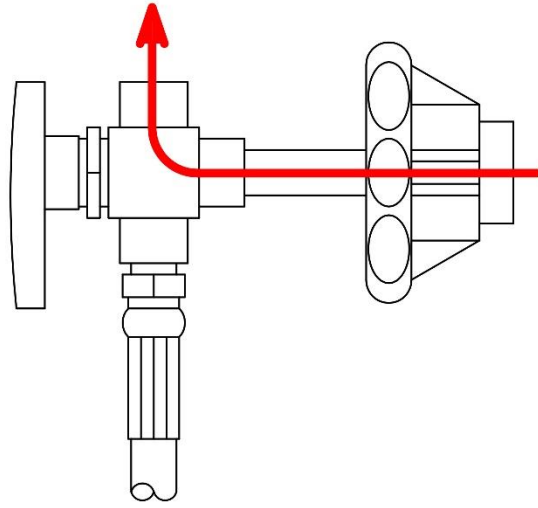
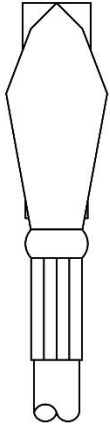
1)	3G59689	ENCLOSURE PUMP CO2 MINI
2)	3G56315	HOSE SYNFLEX 3/8 6FT M-F
3)	1G51020	AD 3/8 ML x 9/16 FL (2021)
4)	3G56316	HOSE SYNFLEX 1/4 6FT M-M
5)	1G51626	PIPE ELB 1/4 SWIVEL
6)	1G0049	MTL NYCOIL 1/4 WH
7)	1G0136	CONN PLAS 1/4 ML x 1/4 TUBE
8)	1G52767	WASHER NYLON WESTERN STEM
9)	3G59068	STEM NUT & GRIPWHEEL NEW STYLE
10)	1G0061	VLV BALL 3 WAY WHTY
11)	3G58509	AD SET CO2 (4 PAK)
12)	1G52767	WASHER NYLON WESTERN STEM
13)	3G59068	STEM NUT & GRIPWHEEL NEW STYLE
14)	1G51943	VLV PUSH BUTTON MEAD
15)	1G53627	VLV GENERANT RLF
16)	1G53097	REGULATOR



OFF  
POSITION



VENT  
POSITION



FILL  
POSITION

