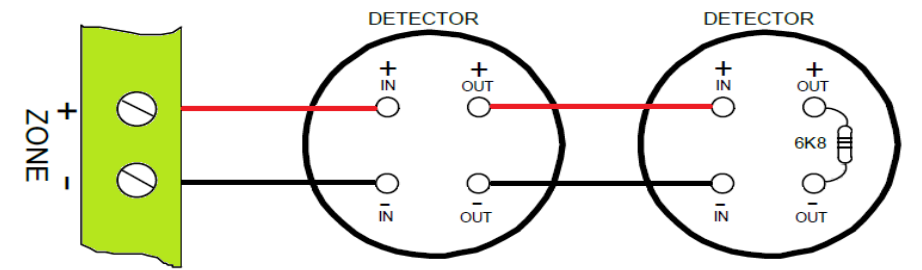


Detector Circuit Connection



Sounder Connection

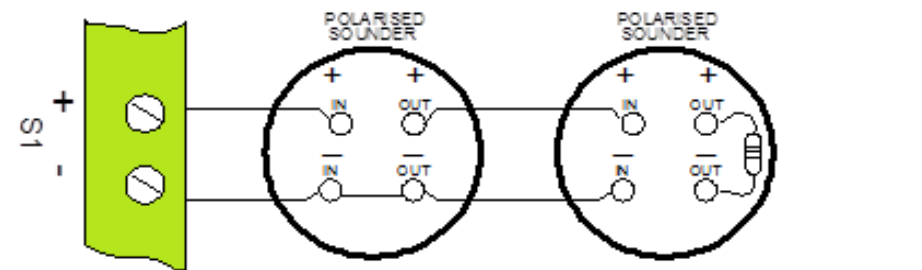
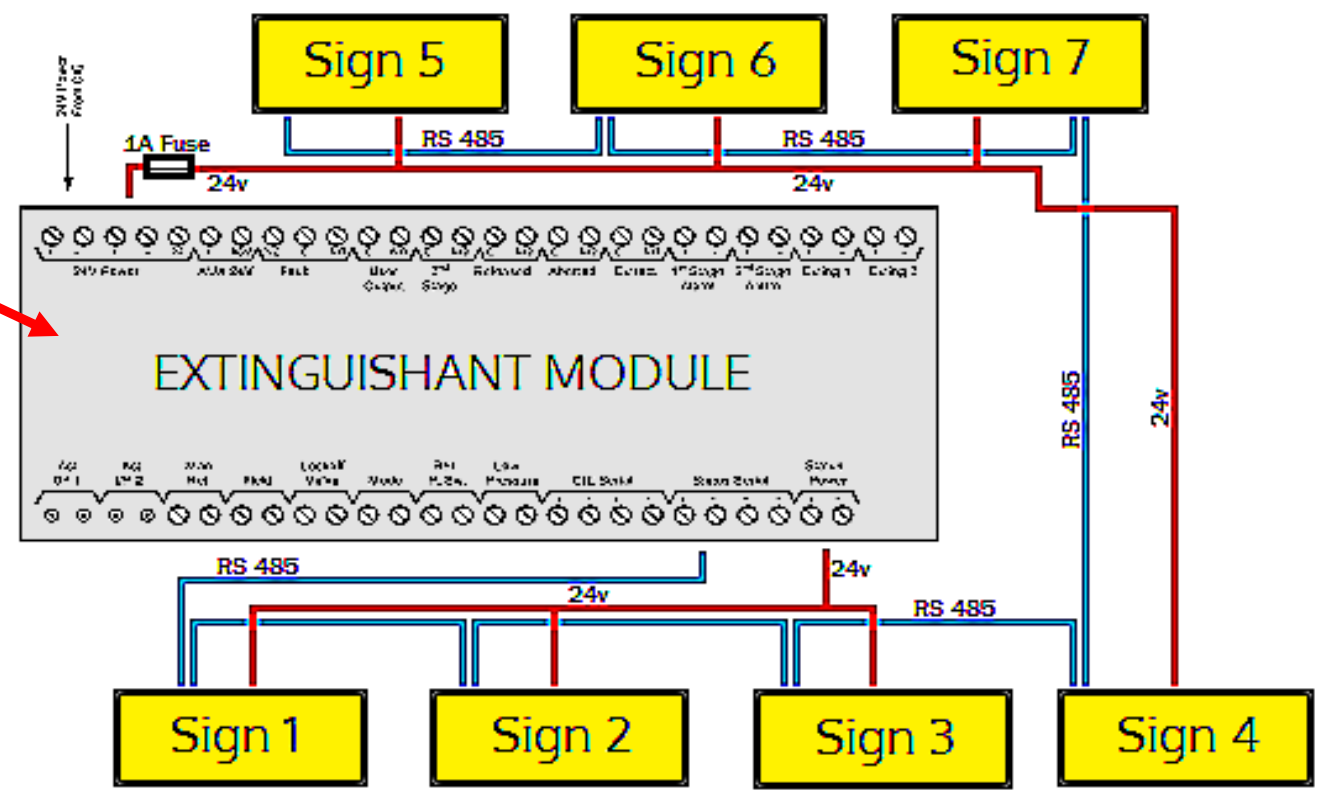


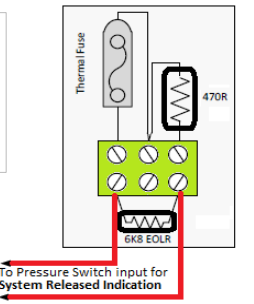
Figure 6. - Sounder circuit wiring

10K end of line resistor

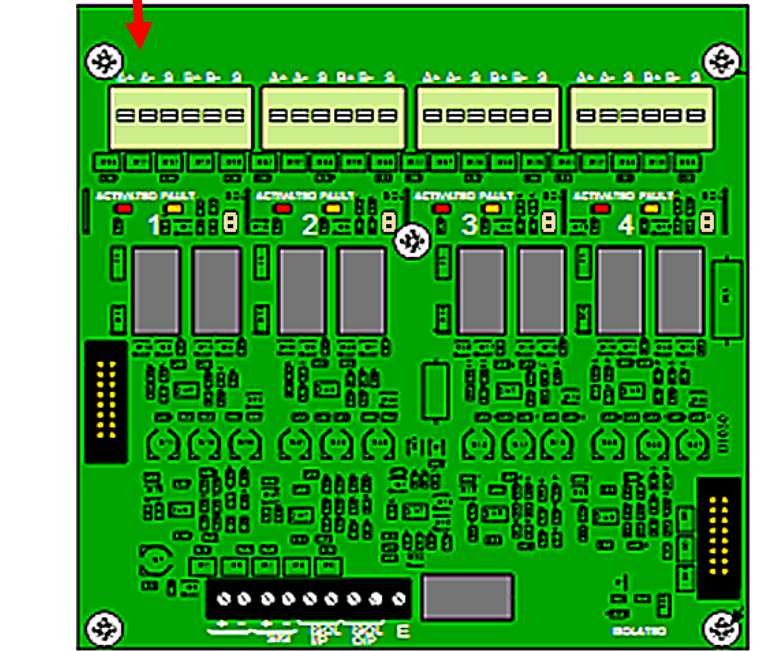
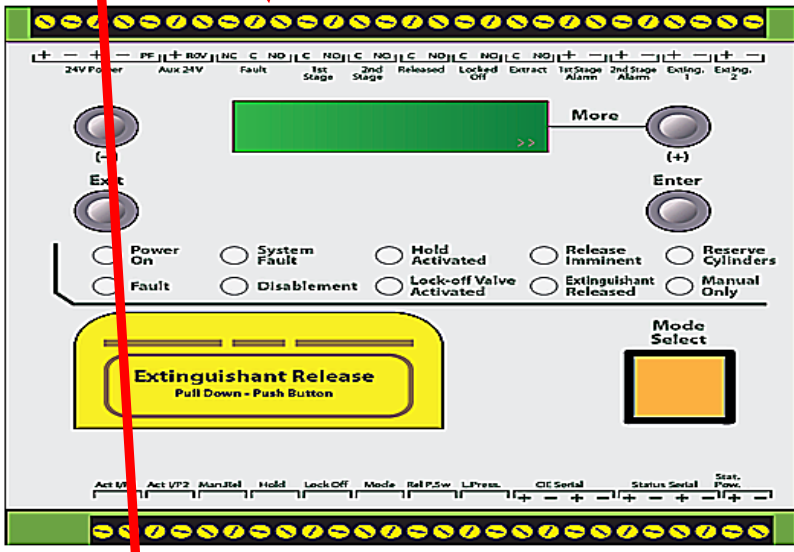
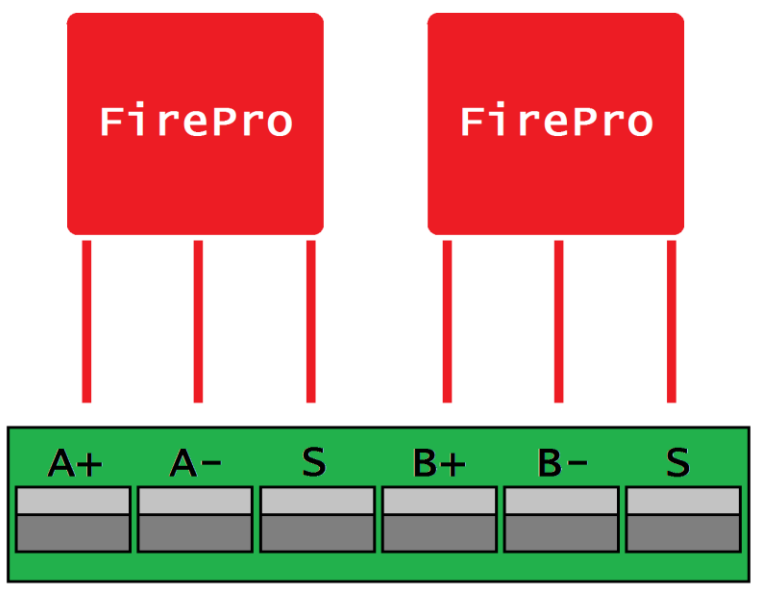
Signs and LCS Connection



Thermal Fuse Connection



FirePro Unit Connection



- Notes:
- 1 Sigmat XT FirePro Panel
 - 2 Size 520 x 385 x 110mm